

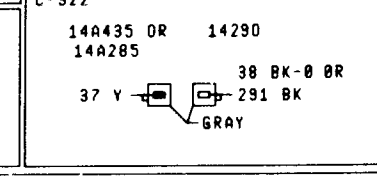
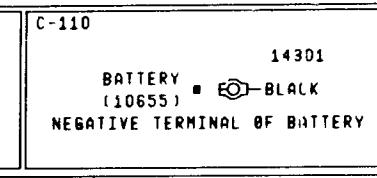
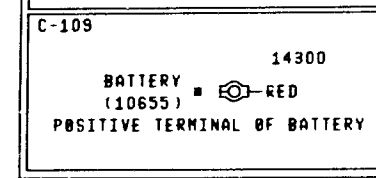
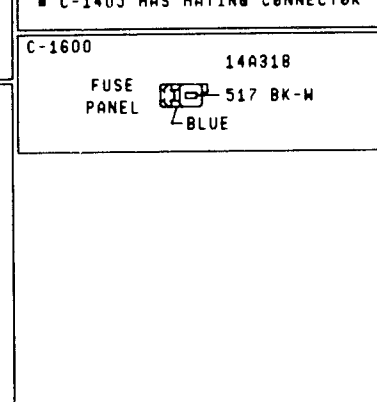
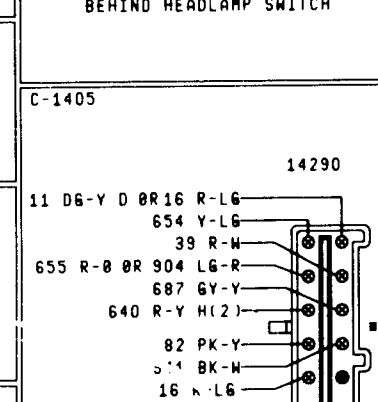
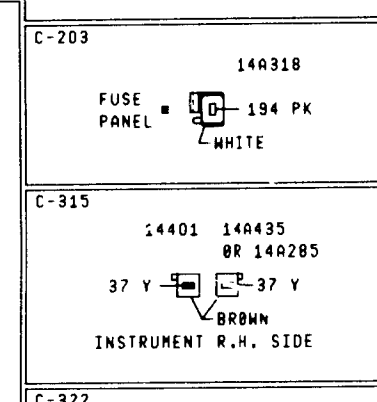
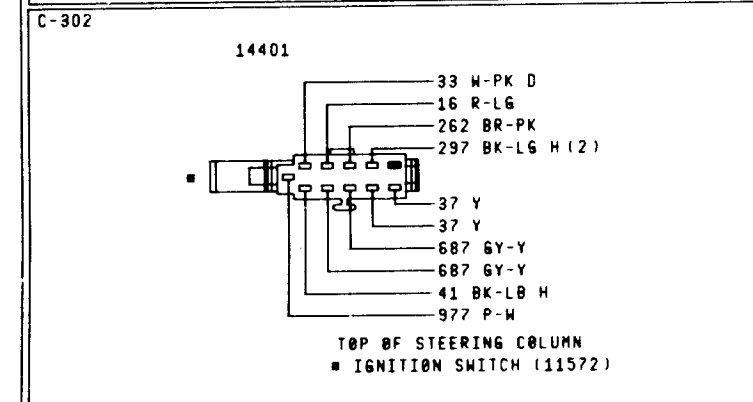
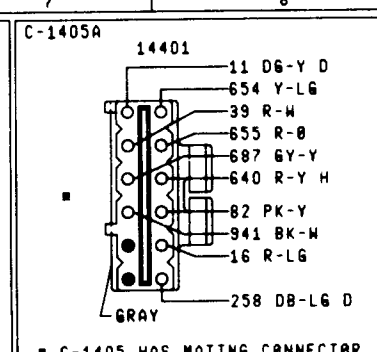
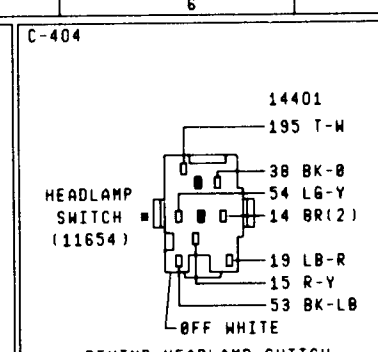
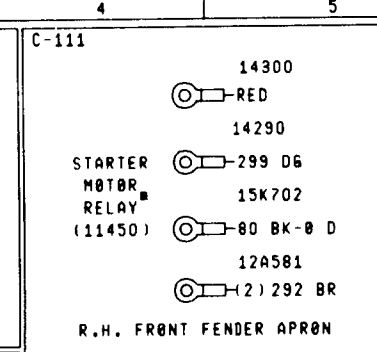
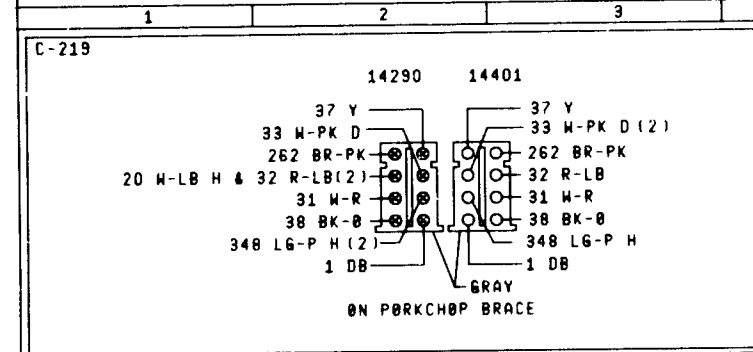
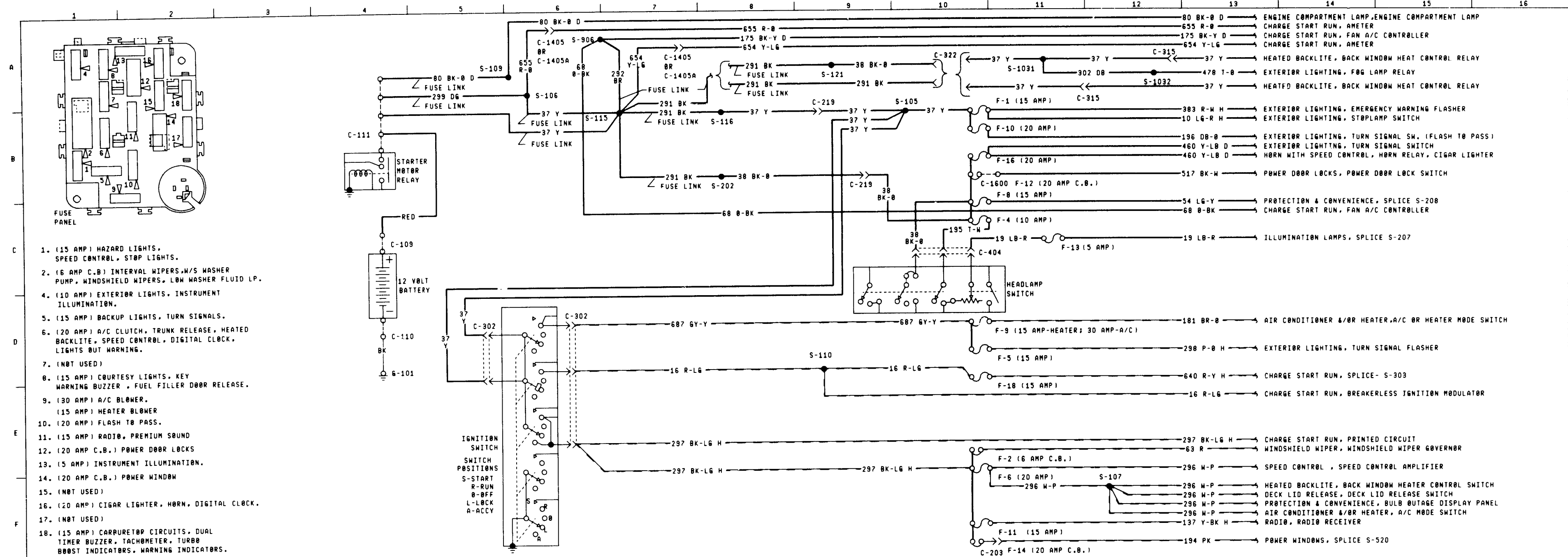
Table with 16 columns (1-16) listing components, page locations, and descriptions for various electrical systems including alternator, horn, lamp, injector, and sensor.

Table with 16 columns (1-16) listing components, page locations, and descriptions for various electrical systems including alternator, horn, lamp, injector, and sensor.

WIRING COLOR KEY (PRIMARY COLORS) table listing colors like BLACK, BROWN, TAN, RED, etc. and their corresponding codes like BK, BR, T, R, etc.

The presence of a tracer on the wire is indicated by a secondary color followed by an 'H' for Hash or a 'D' for Dot. A stripe is understood if no letter follows.

GROUND CODES, SPLICE CODES, and ELECTRICAL SYSTEMS 1985 MUSTANG/CAPRI INDEX-SYSTEM AND COMPONENT SUPERSEDES DATE 4-5-84 BEPE ELECT INST MAN PAGE E5Z-900-INDEX SERVICE AND TRAINING MAN PAGE INDEX

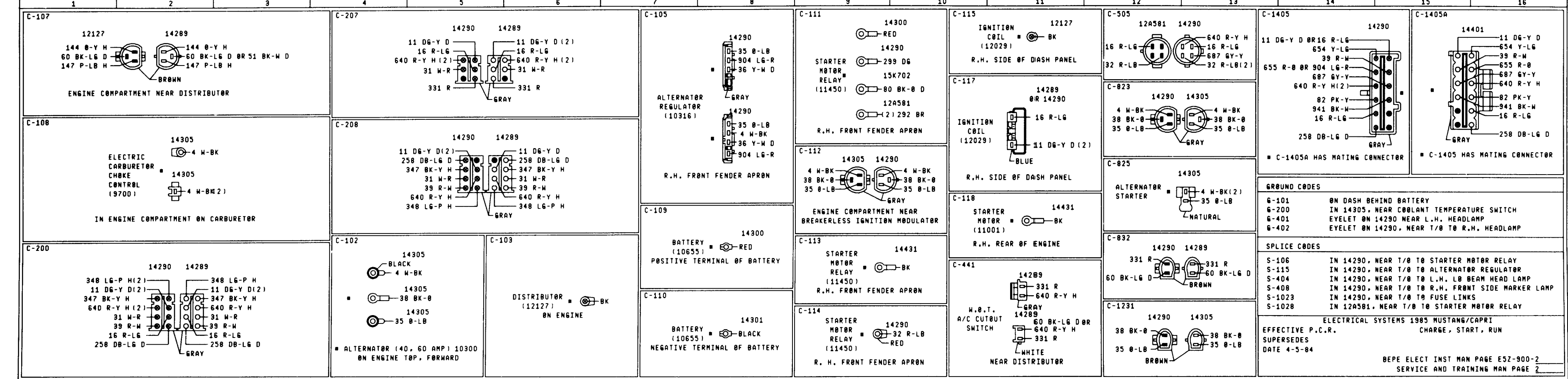
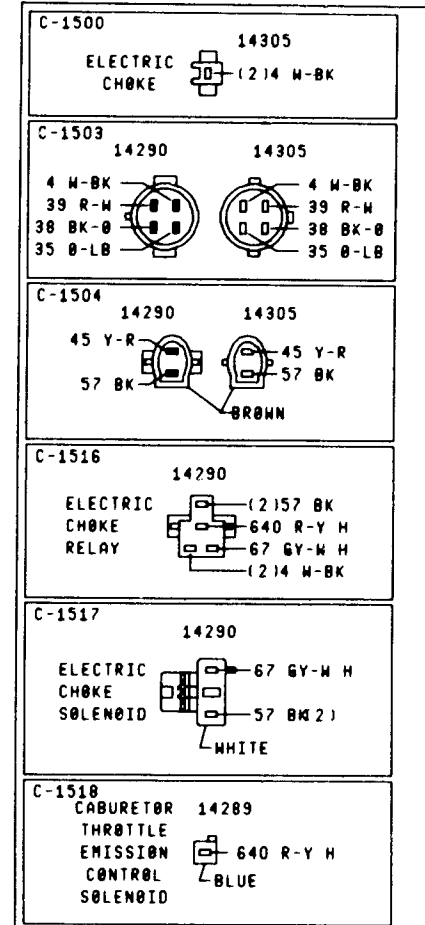
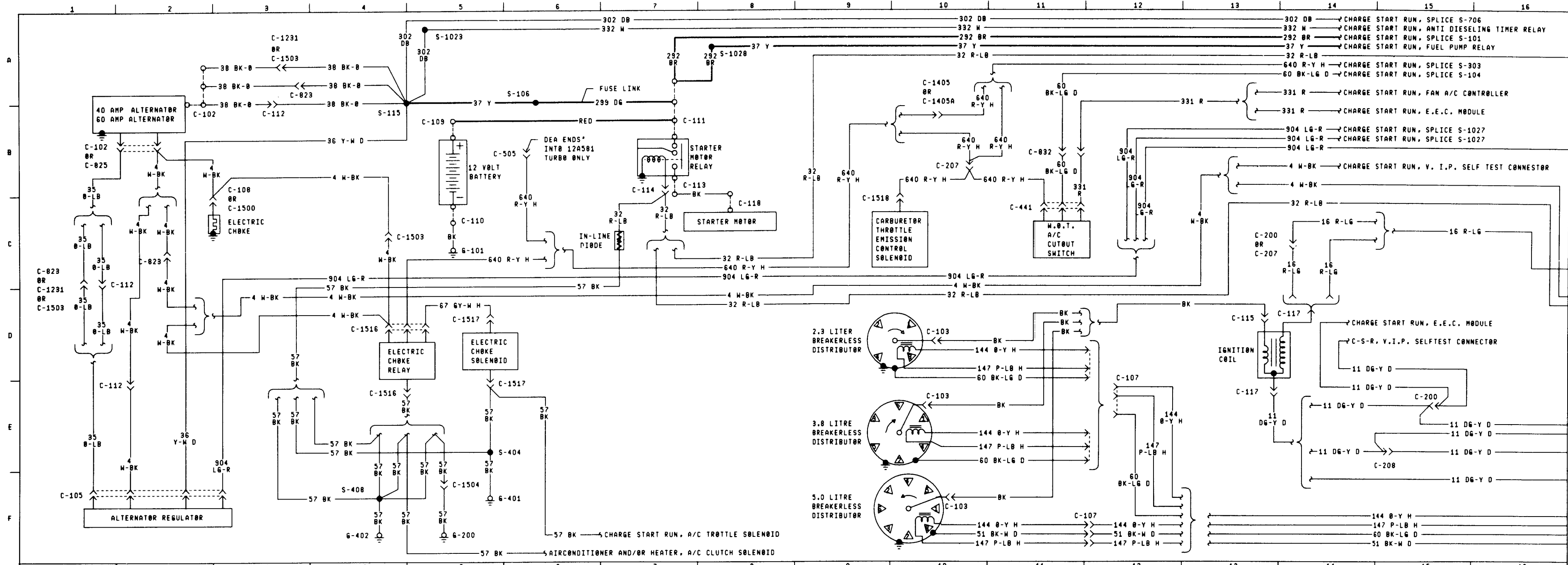


GROUND CODES	
6-101	ON DASH BEHIND BATTERY

SPLICE CODES	
S-105	IN 14401, NEAR T/O TO WINDSHIELD WIPER SWITCH
S-106	IN 14290, NEAR T/O TO STARTER MOTOR RELAY
S-107	IN 14401, NEAR T/O TO RADIO RECEIVER
S-109	IN 15K702, NEAR T/O TO STARTER MOTOR RELAY
S-110	IN 14401, NEAR T/O TO L.H. I/P SPEAKER
S-115	IN 14290, NEAR T/O TO ALTERNATOR REGULATOR
S-116	IN 14290, NEAR T/O TO STARTER RELAY
S-121	IN 14290, NEAR T/O TO ALTERNATOR REGULATOR
S-202	IN 14290, NEAR T/O TO STARTER MOTOR RELAY
S-906	IN 14290, NEAR T/O TO ALTERNATOR REGULATOR
S-1031	IN 14A285, NEAR T/O TO 14290
S-1032	IN 14A285, NEAR T/O TO 14290

ELECTRICAL SYSTEMS 1985 MUSTANG/CAPRI	
EFFECTIVE P.C.R.	POWER DISTRIBUTION
SUPERSEDES	
DATE 4-5-84	

BEPE ELECT INST MAN PAGE E52-900-1
 SERVICE AND TRAINING MAN PAGE 1



GROUND CODES

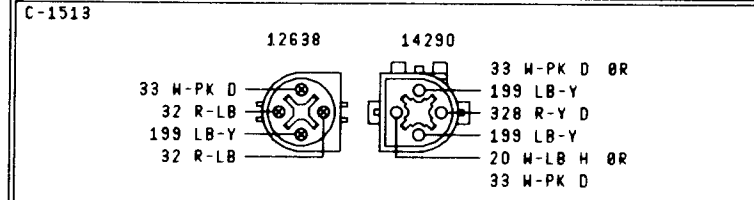
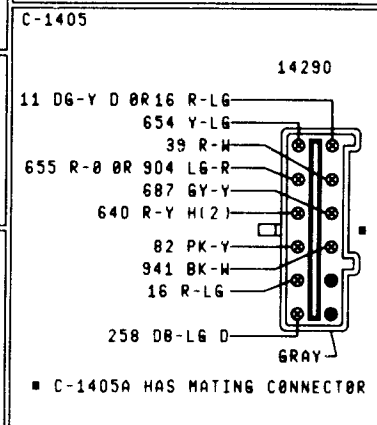
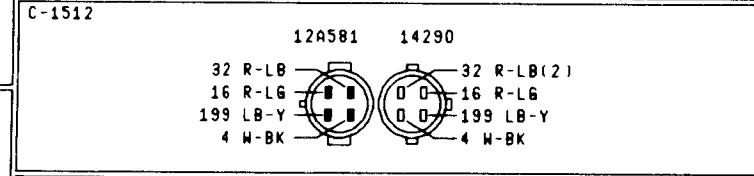
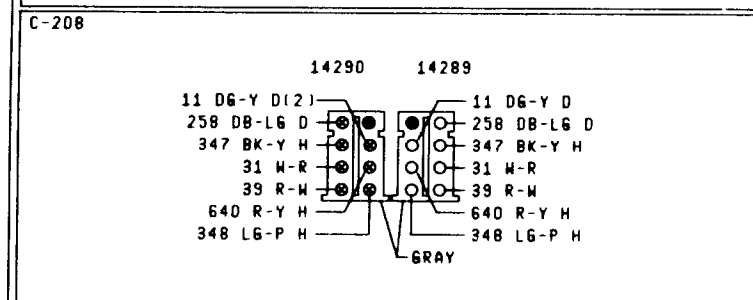
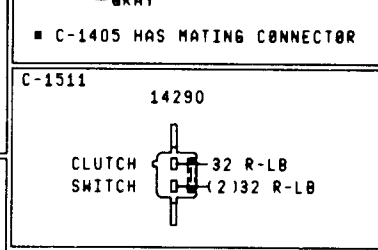
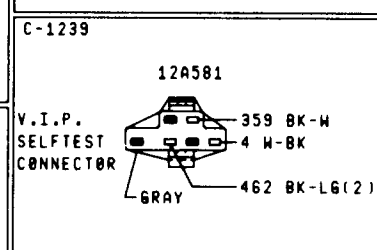
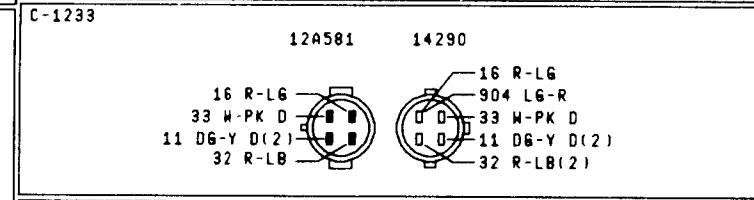
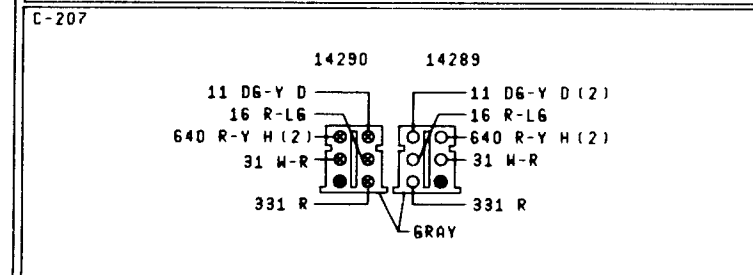
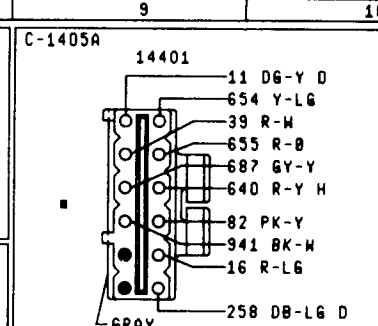
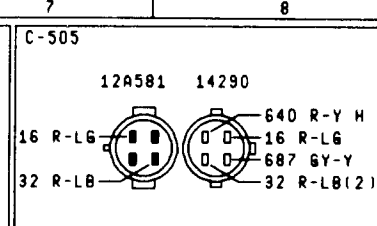
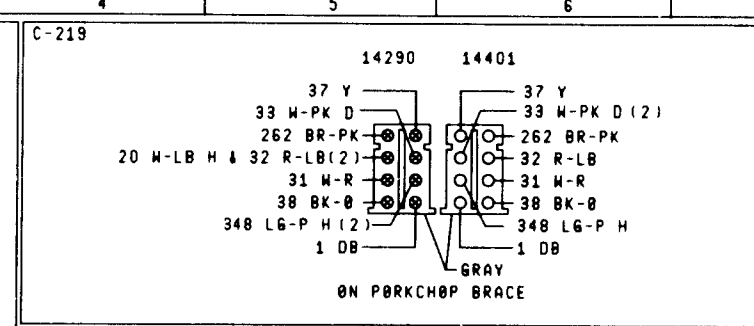
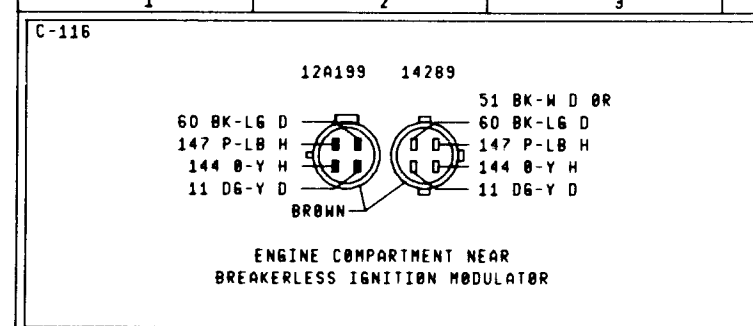
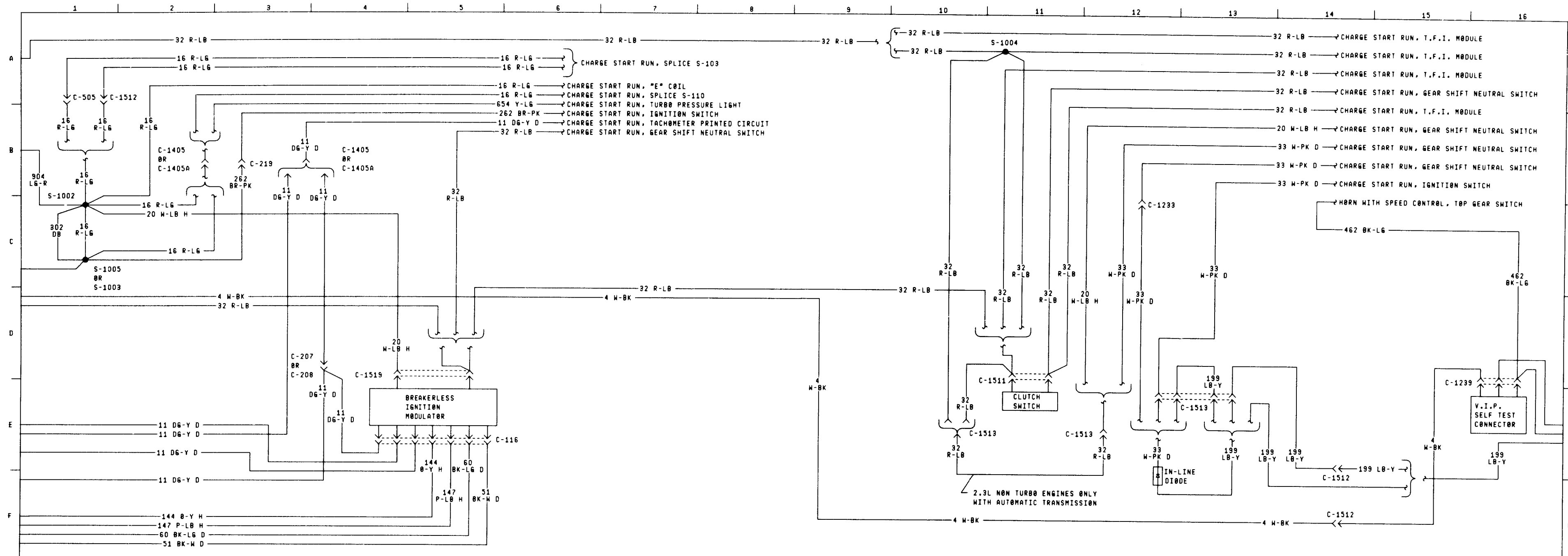
- G-101 0N DASH BEHIND BATTERY
- G-200 IM 14305, NEAR COOLANT TEMPERATURE SWITCH
- G-401 EYELET 0N 14290 NEAR L.H. HEADLAMP
- G-402 EYELET 0N 14290, NEAR T/O TO R.H. HEADLAMP

SPlice CODES

- S-106 IN 14290, NEAR T/O TO STARTER MOTOR RELAY
- S-115 IN 14290, NEAR T/O TO ALTERNATOR REGULATOR
- S-404 IN 14290, NEAR T/O TO L.H. LB BEAM HEAD LAMP
- S-408 IN 14290, NEAR T/O TO R.H. FRONT SIDE MARKER LAMP
- S-1023 IN 14290, NEAR T/O TO FUSE LINKS
- S-1028 IN 12A581, NEAR T/O TO STARTER MOTOR RELAY

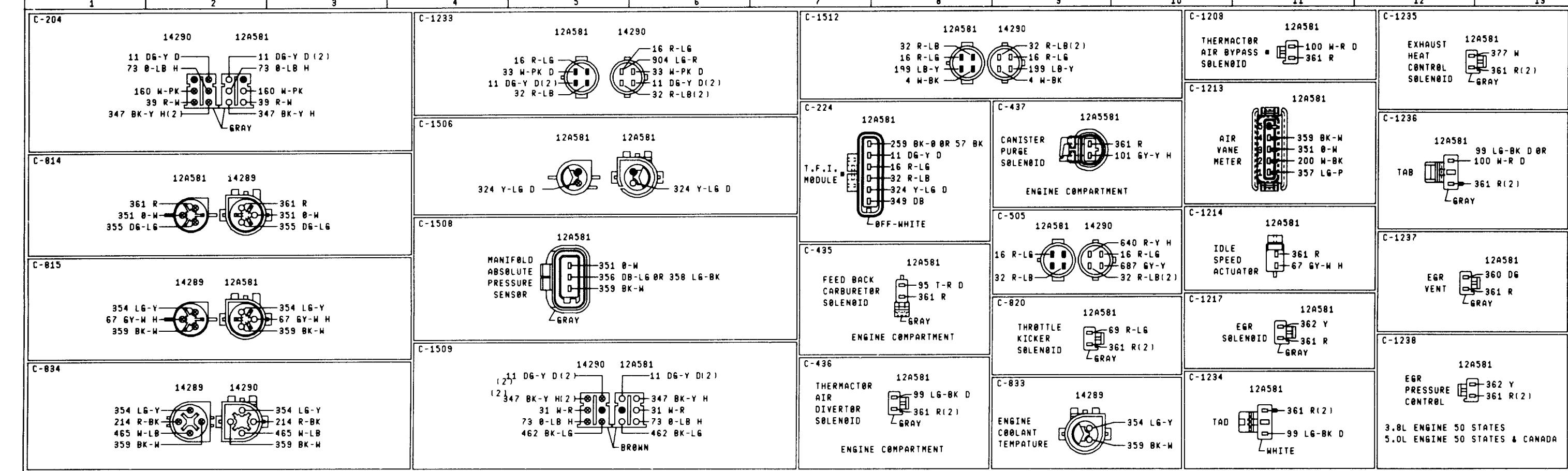
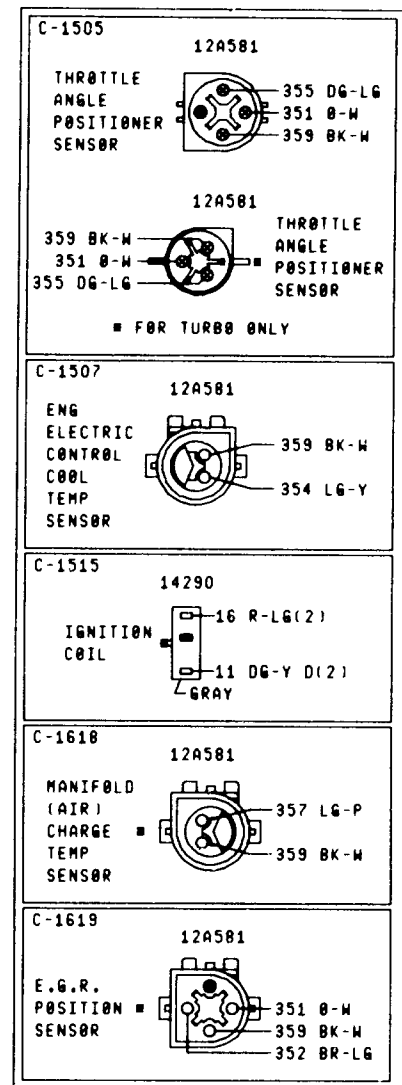
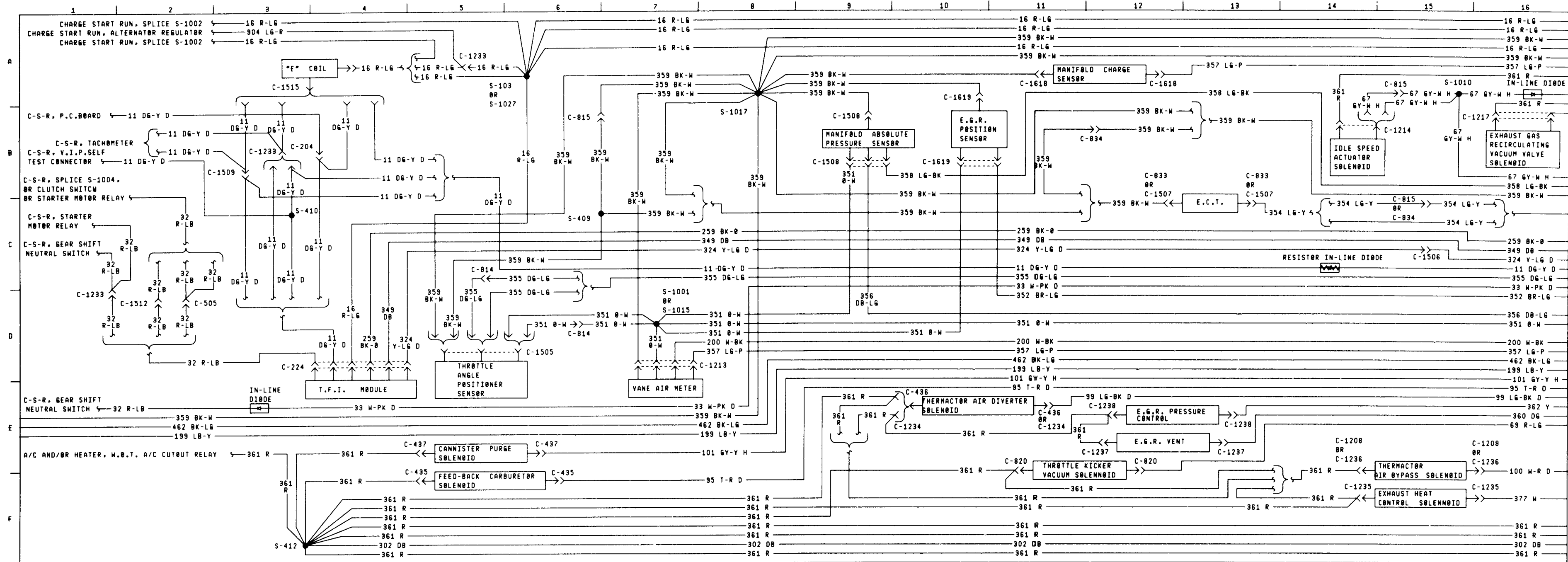
EFFECTIVE P.C.R. SUPERSEDES DATE 4-5-84

BEPE ELECT INST MAN PAGE ESZ-900-2
SERVICE AND TRAINING MAN PAGE 2



GROUND CODES	
SPlice CODES	
S-1002	IN 14290 NEAR 1/8 TO W/S WIPER MOTOR
S-1003	IN 14290, NEAR 1/8 TO W/S WIPER MOTOR
S-1004	IN 14290, NEAR 1/8 TO W/S WIPER MOTOR
S-1005	IN 14290, NEAR 1/8 TO STARTER MOTOR RELAY
ELECTRICAL SYSTEMS 1985 MUSTANG/CAPRI	
EFFECTIVE P.C.R. CHARGE, START, RUN	
SUPERSEDES	
DATE 4-5-84	

BEPE ELECT INST MAN PAGE ES2-900-3
SERVICE AND TRAINING MAN PAGE 3



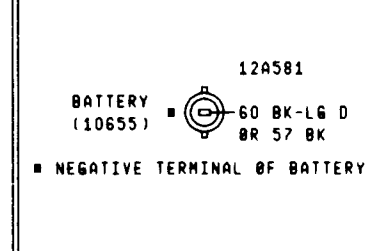
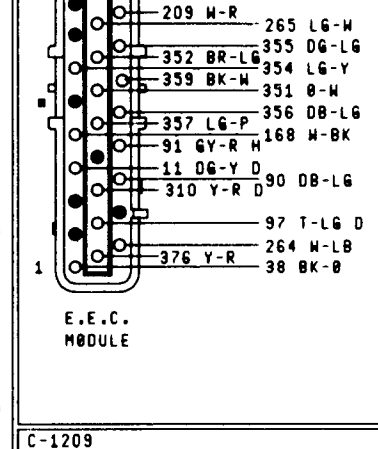
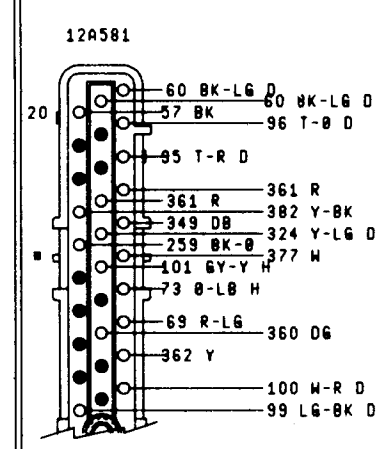
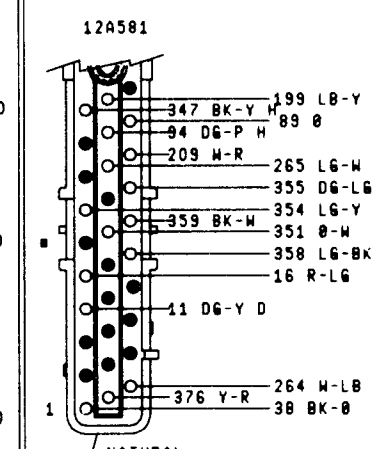
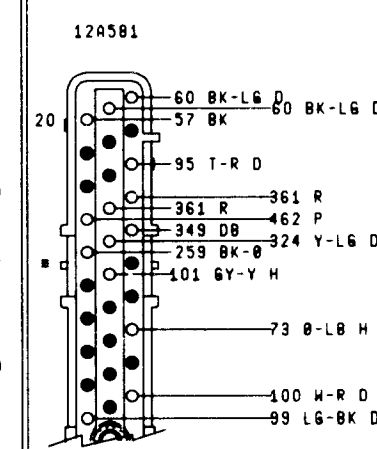
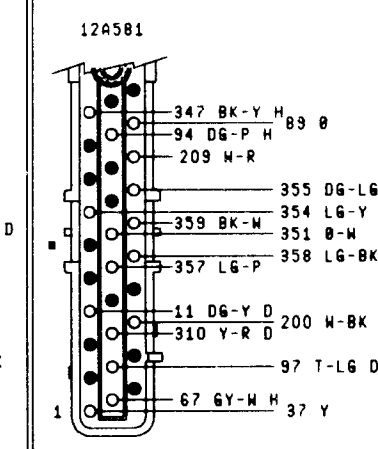
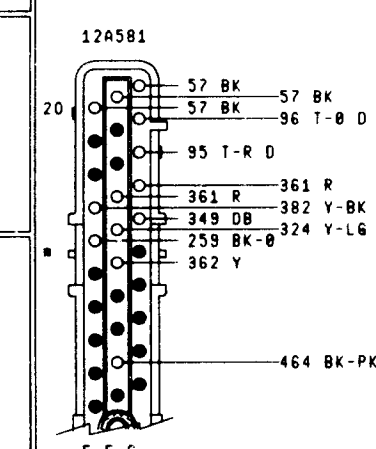
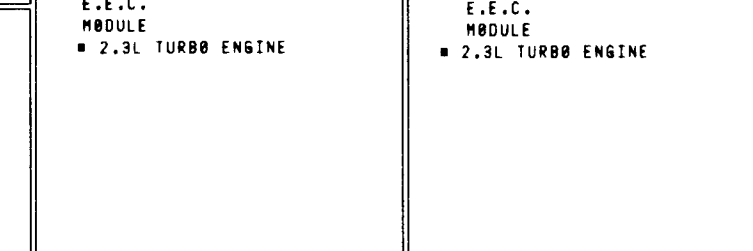
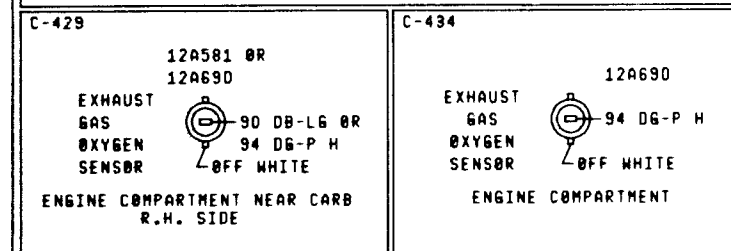
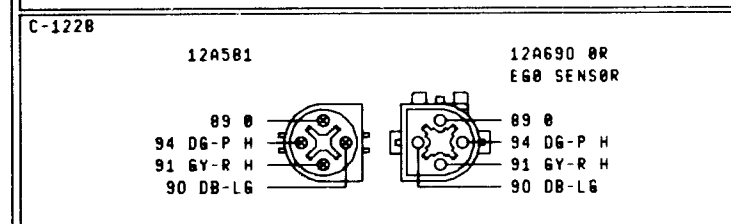
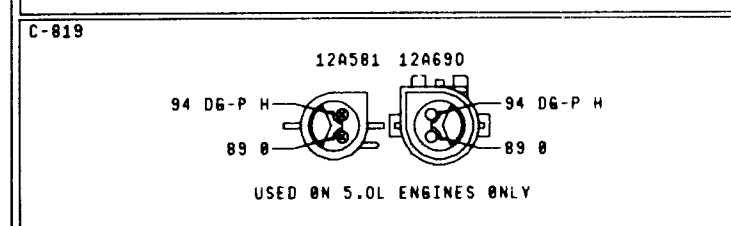
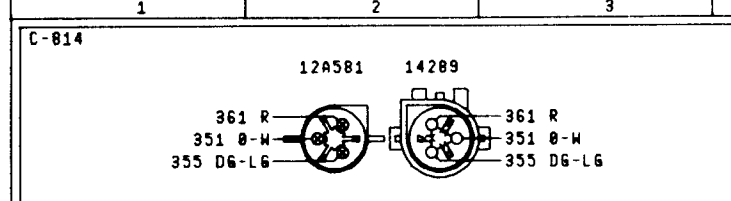
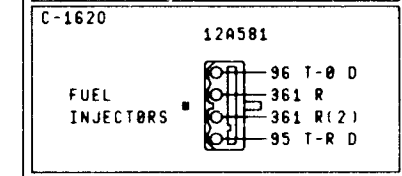
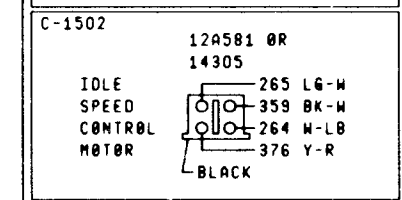
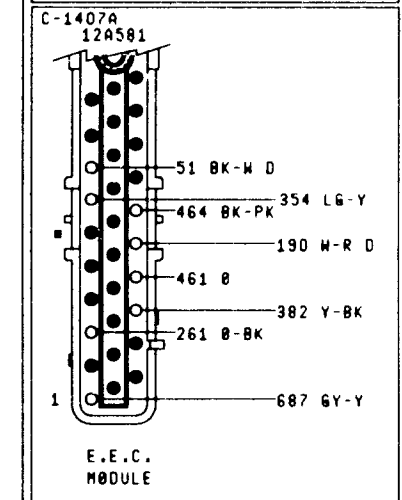
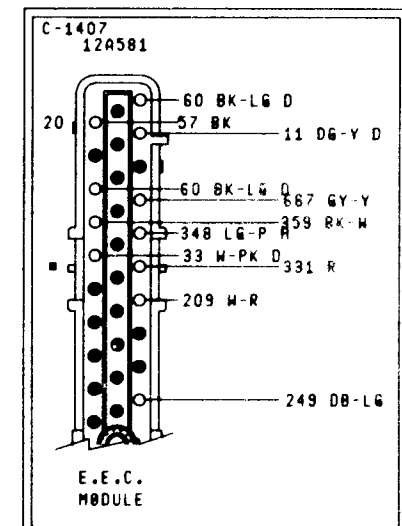
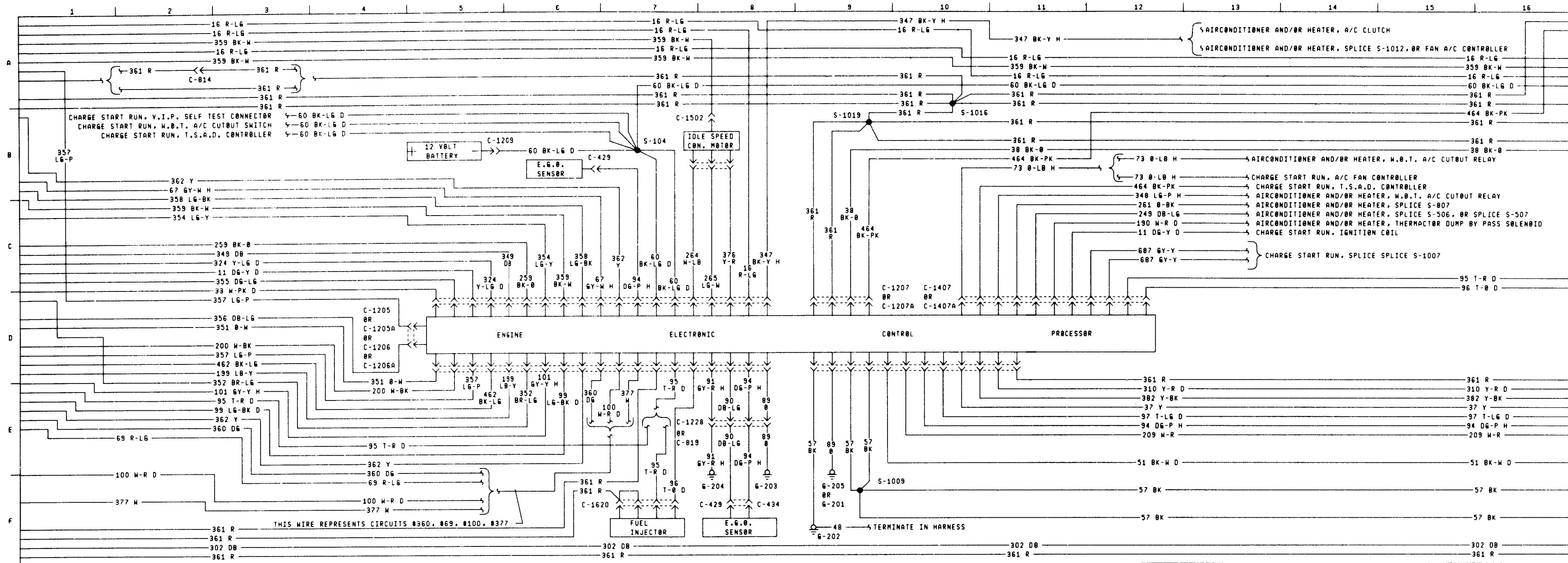
GROUND CODES

SPLICE CODES

S-103	IN 12A581, NEAR T/O TO T. F. I. MODULE
S-409	IN 14289, NEAR T/O TO THROTTLE POSITION SENSOR
S-410	IN 12A581, NEAR T/O TO STARTER MOTOR RELAY
S-412	IN 12A581, NEAR T/O TO A/C PRESSURE SWITCH
S-1001	IN 12A581, NEAR T/O TO T.F.I. MODULE
S-1010	IN 12A581, NEAR T/O TO THROTTLE POSITION SENSOR
S-1015	IN 12A581, NEAR T/O TO E.G.R. SOLENOID
S-1017	IN 12A581, NEAR T/O TO E.C.T. POWER RELAY
S-1027	IN 12A581, NEAR T/O TO A/C JUMPER

ELECTRICAL SYSTEMS 1985 MUSTANG/CAPRI
 EFFECTIVE P.C.R. CHARGE, START, RUN
 SUPERSEDES DATE 4-5-84

BEPE ELECT INST MAN PAGE ES2-900-4
 SERVICE AND TRAINING MAN PAGE 4



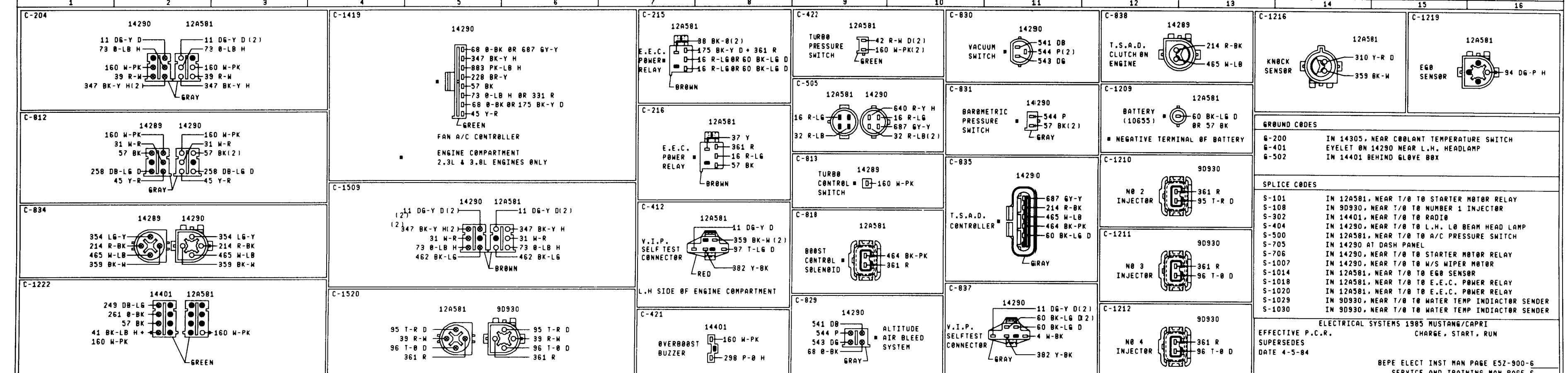
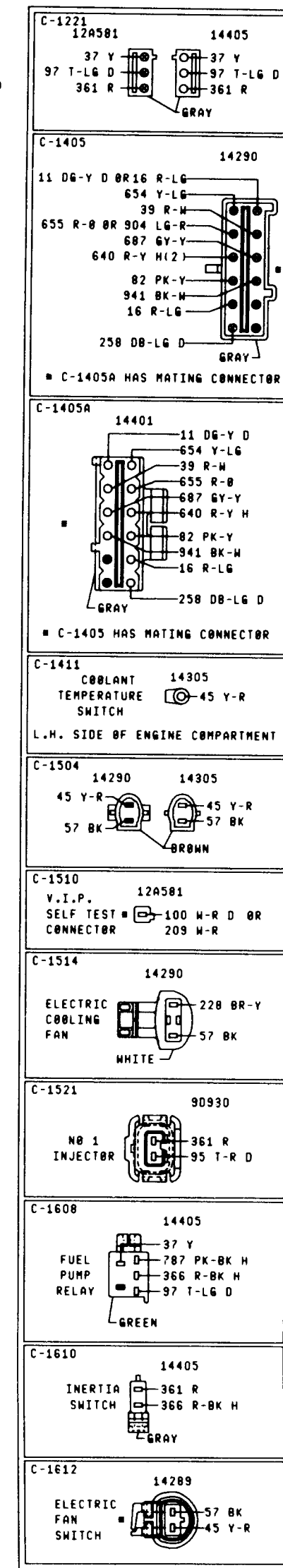
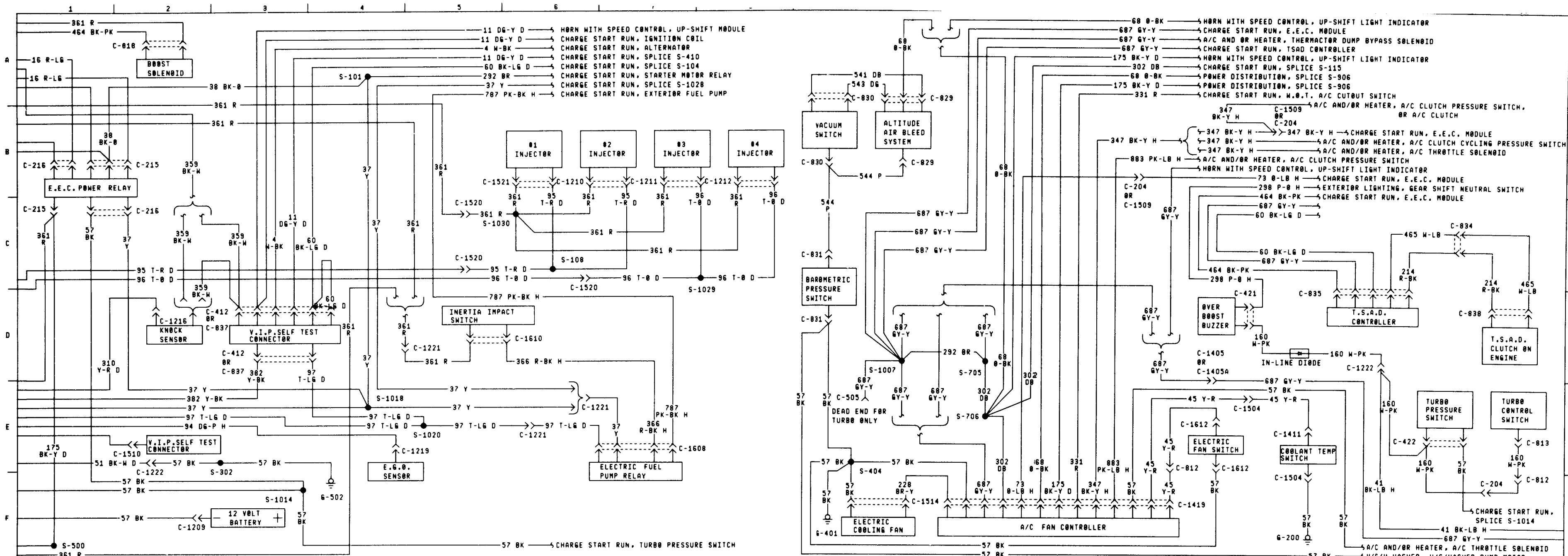
GROUND CODES	
G-201	IN 12A581, NEAR OIL PRESSURE SENDER
G-202	IN 12A581 OR 14290, NEAR E.E.C. MODULE
G-203	IN 12A690, NEAR EGO SENSOR
G-204	IN 12A690, NEAR EGO SENSOR
G-205	IN 12A581, NEAR T/O TO A/C CLUTCH SOLENOID

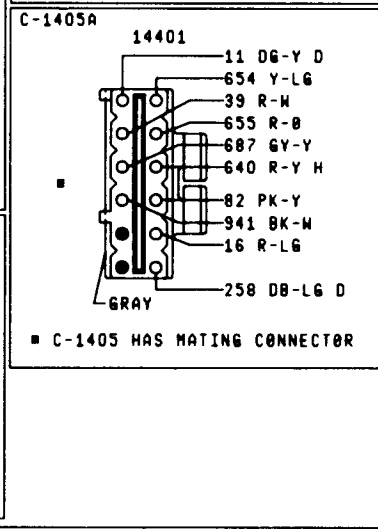
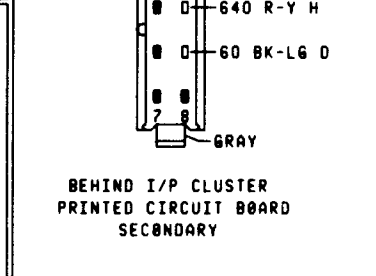
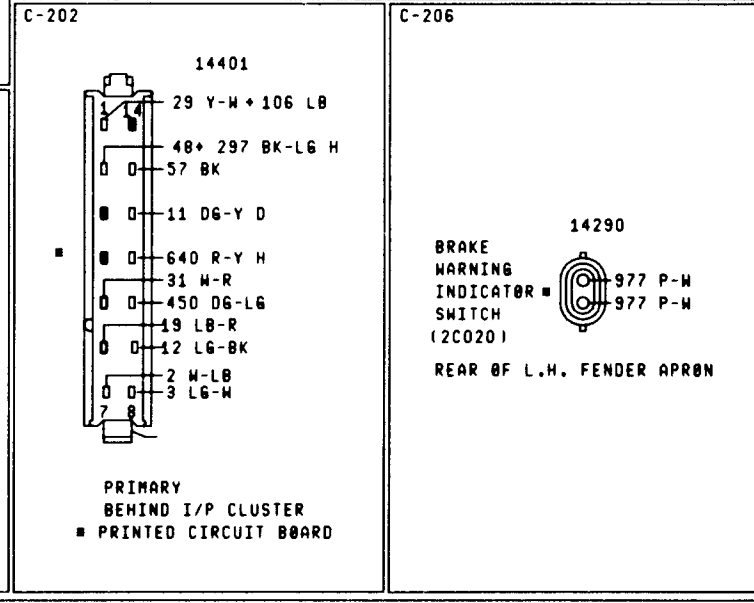
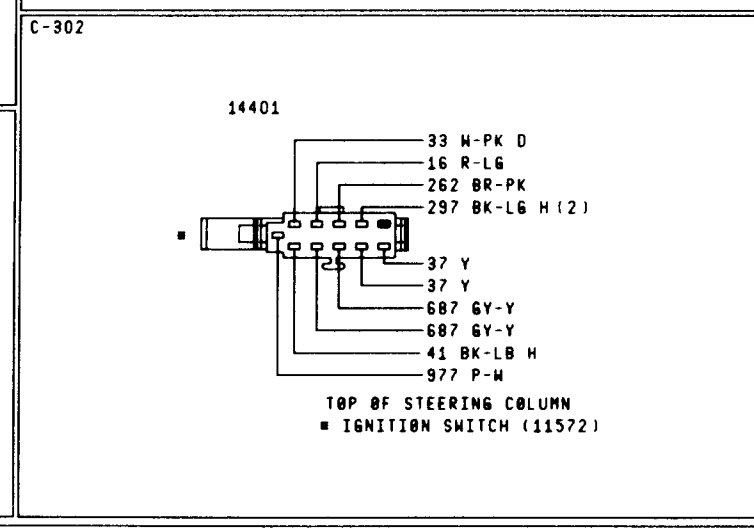
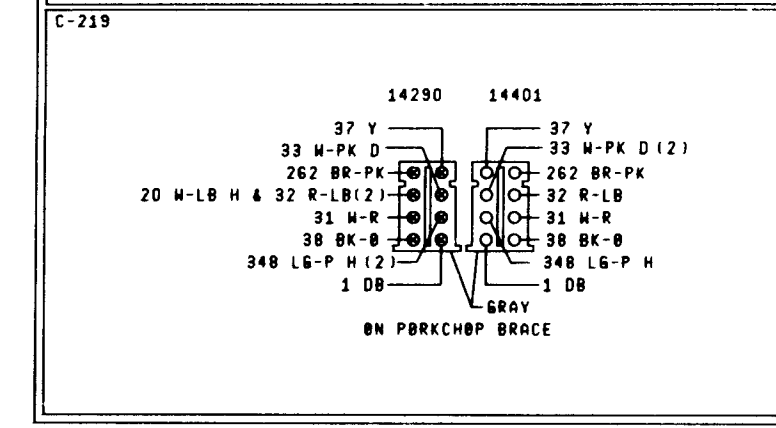
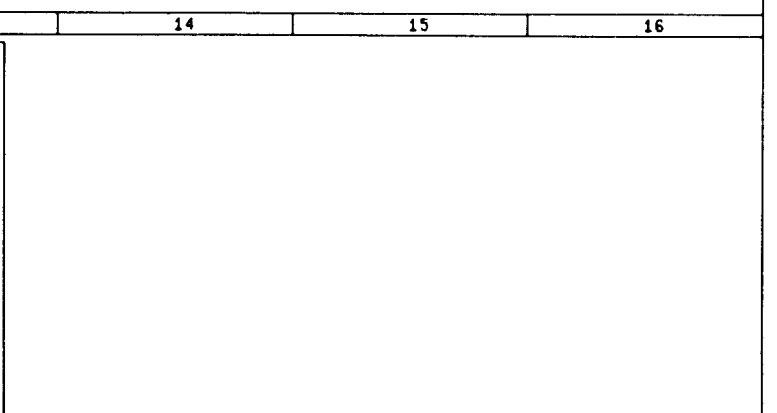
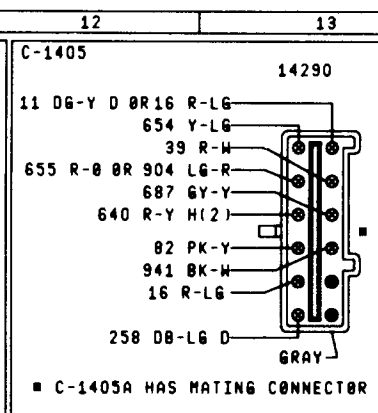
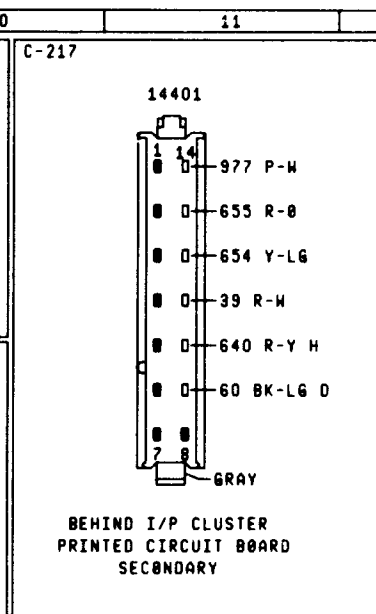
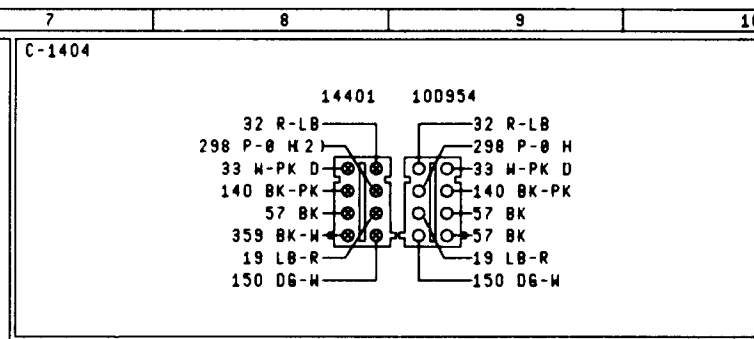
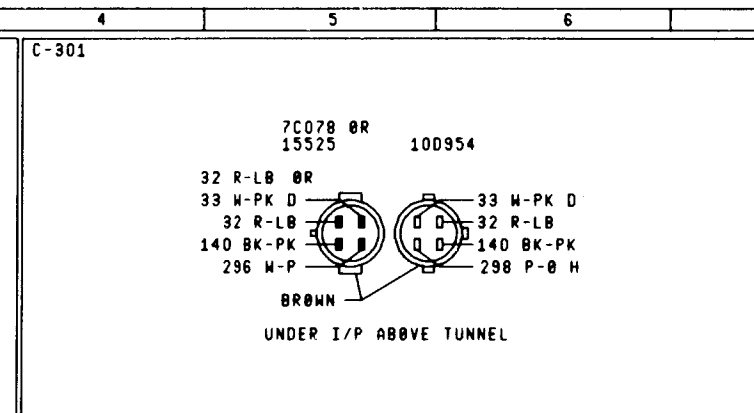
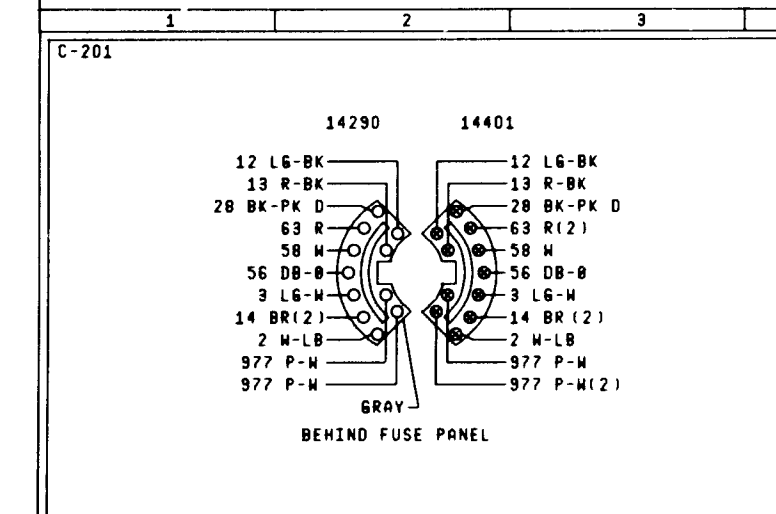
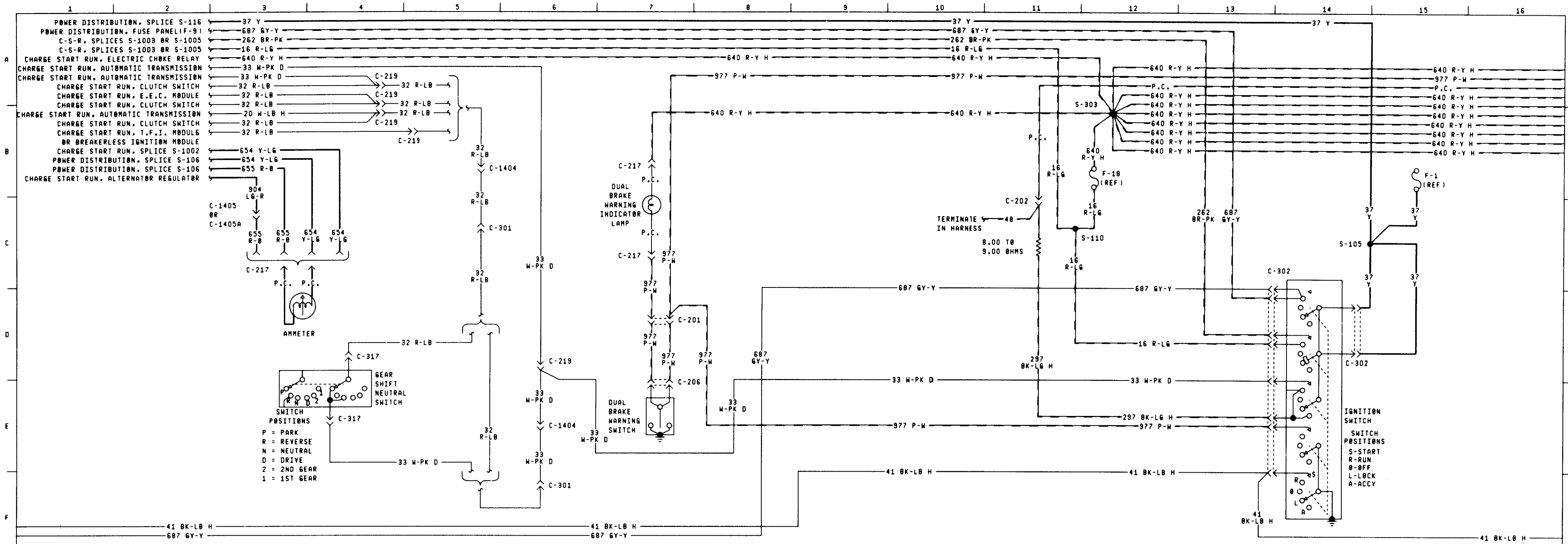
SPLICE CODES	
S-104	IN 12A581 OR 14290, NEAR T/O TO BATTERY GROUND TERMINAL
S-1009	IN 12A581, NEAR T/O TO BATTERY GROUND
S-1016	IN 12A581, NEAR T/O TO E.G.R. SOLENOID
S-1019	IN 12A581, NEAR T/O TO E.E.C. POWER RELAY

ELECTRICAL SYSTEMS 1985 MUSTANG/CAPRI	
CHARGE, START, RUN	

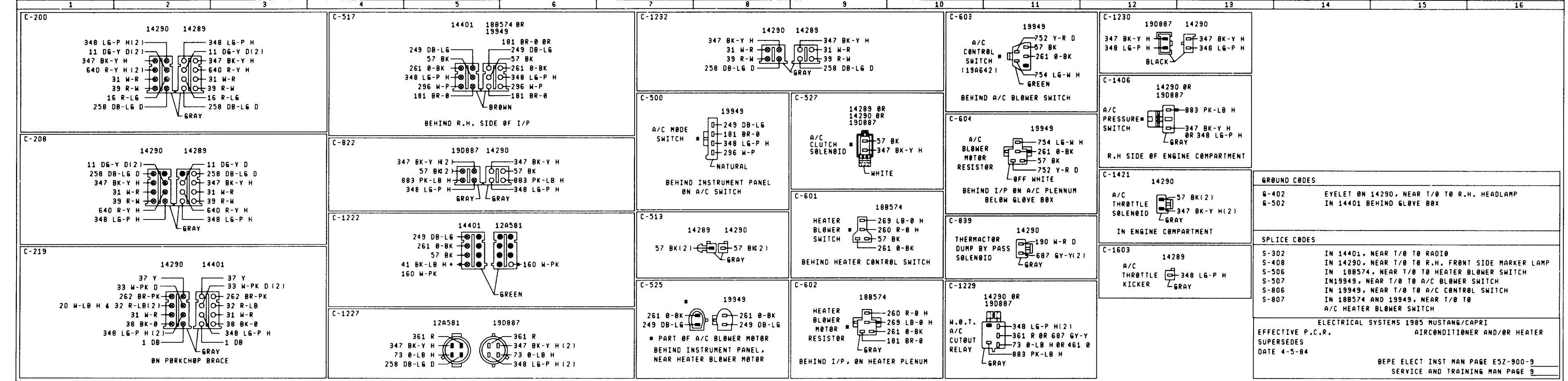
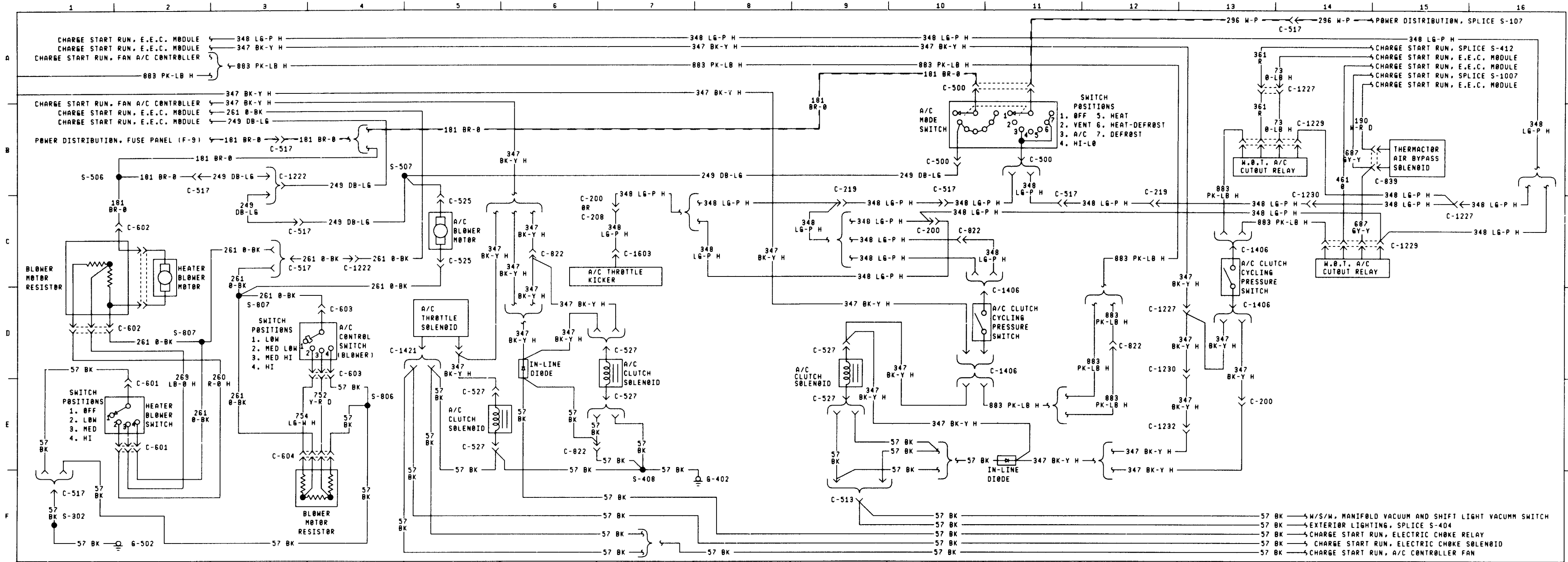
EFFECTIVE P.C.R. SUPERSEDES DATE 4-5-84

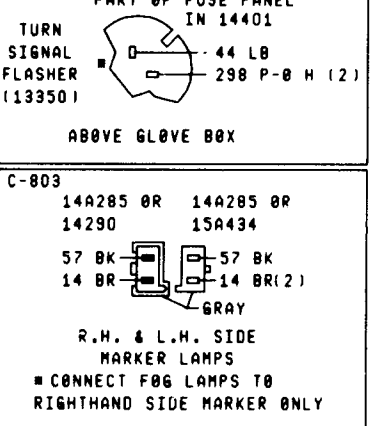
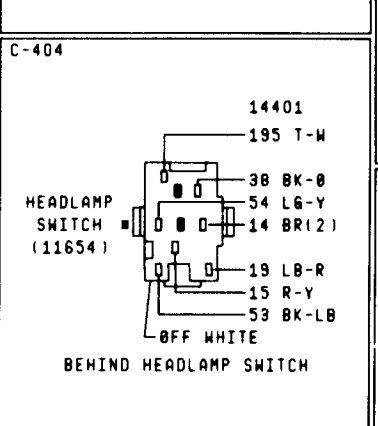
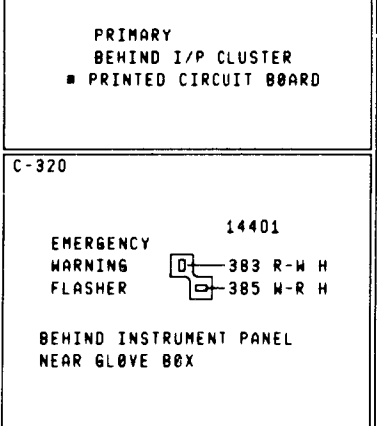
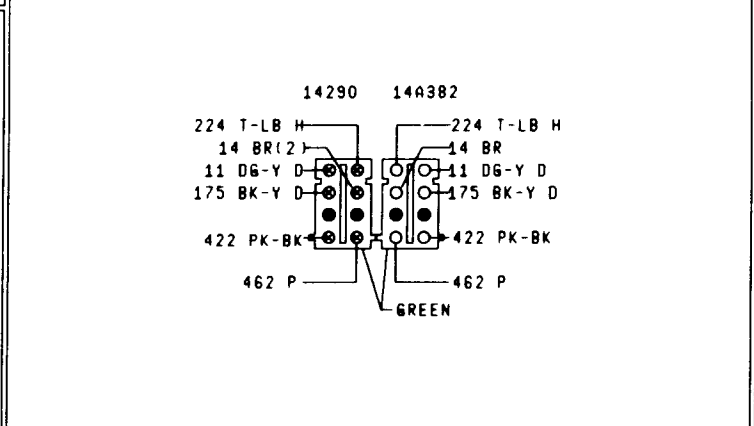
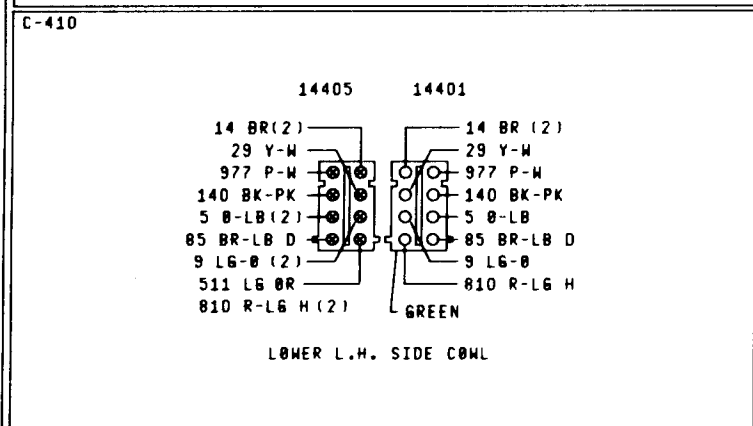
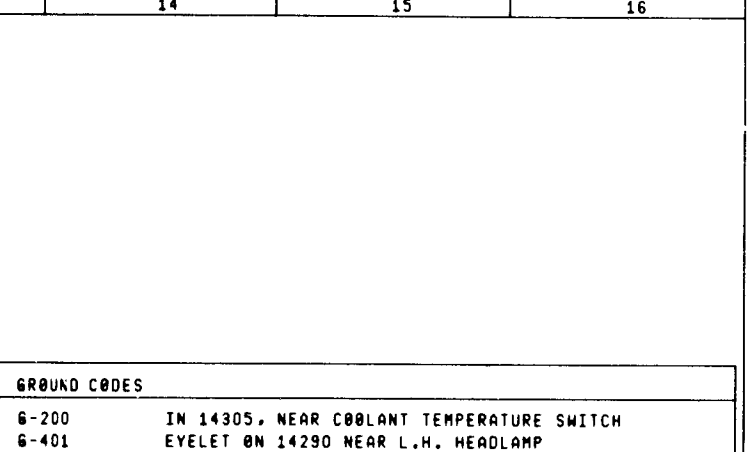
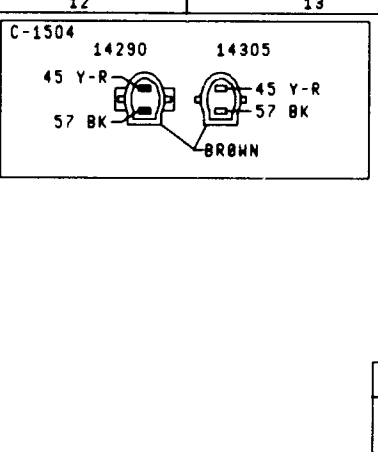
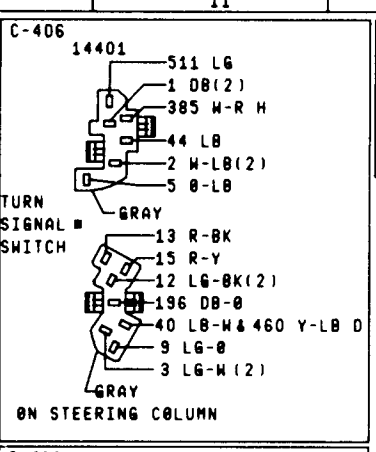
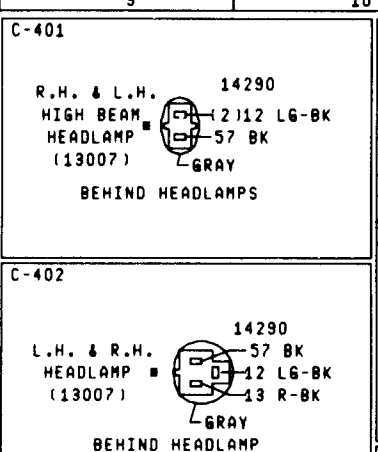
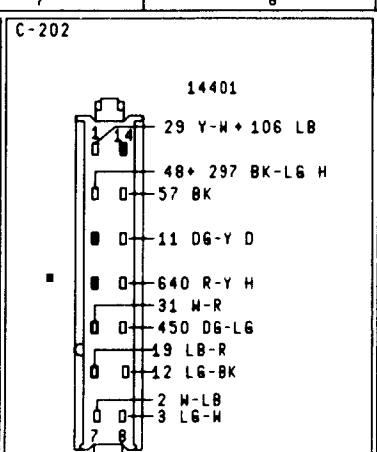
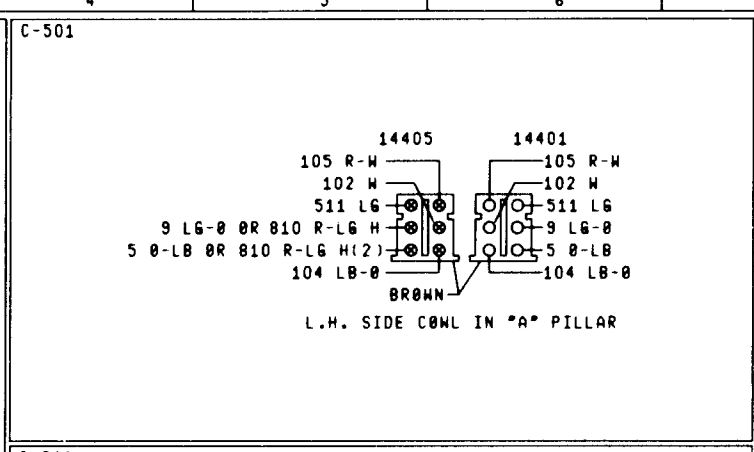
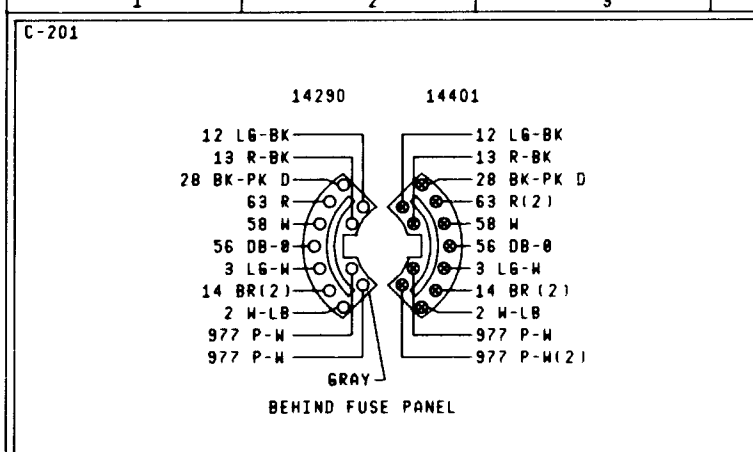
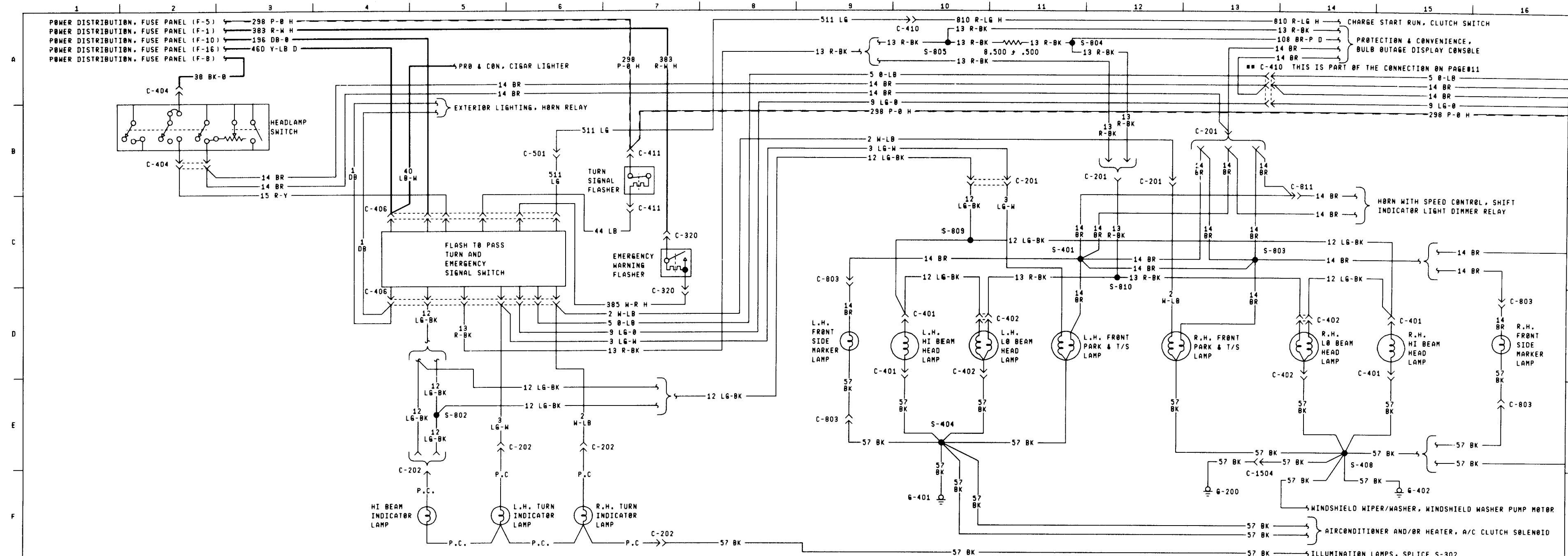
BEPE ELECT INST MAN PAGE E5Z-900-5
SERVICE AND TRAINING MAN PAGE 5





GROUND CODES	
SPLICE CODES	
S-105	IN 14401, NEAR T/Ø TO WINDSHIELD WIPER SWITCH
S-110	IN 14401, NEAR T/Ø TO L.H. I/P SPEAKER
S-303	IN 14401, NEAR T/Ø TO HØRN SWITCH
ELECTRICAL SYSTEMS 1985 MUSTANG/CAPRI	
EFFECTIVE P.C.R. CHARGE, START, RUN	
SUPERSEDES	
DATE 4-5-84	
BEPE ELECT INST MAN PAGE E3Z-900-7 SERVICE AND TRAINING MAN PAGE 7	



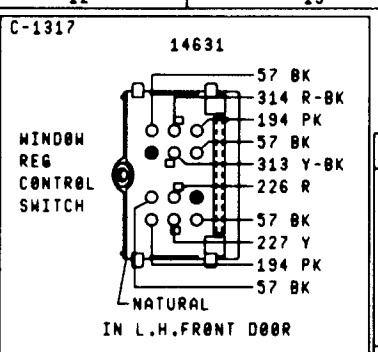
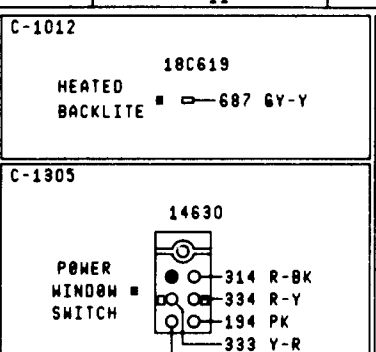
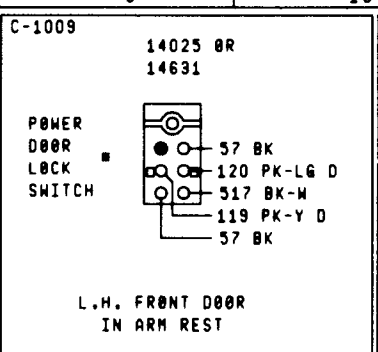
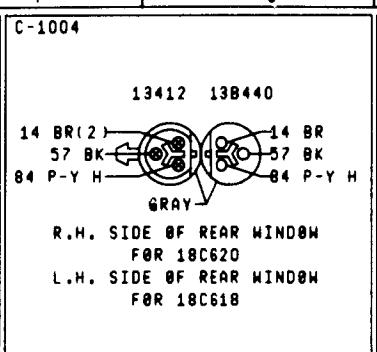
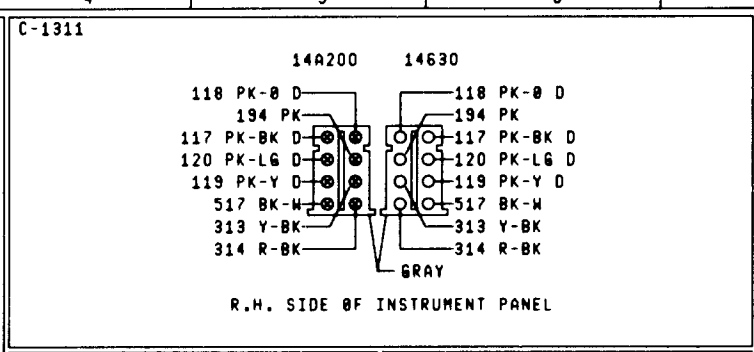
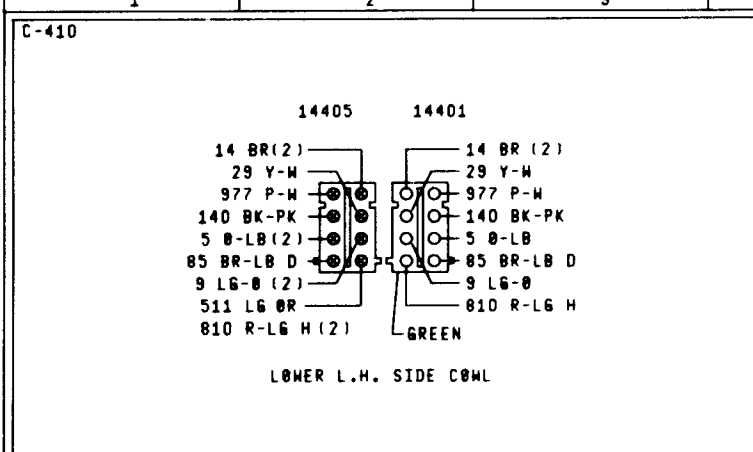
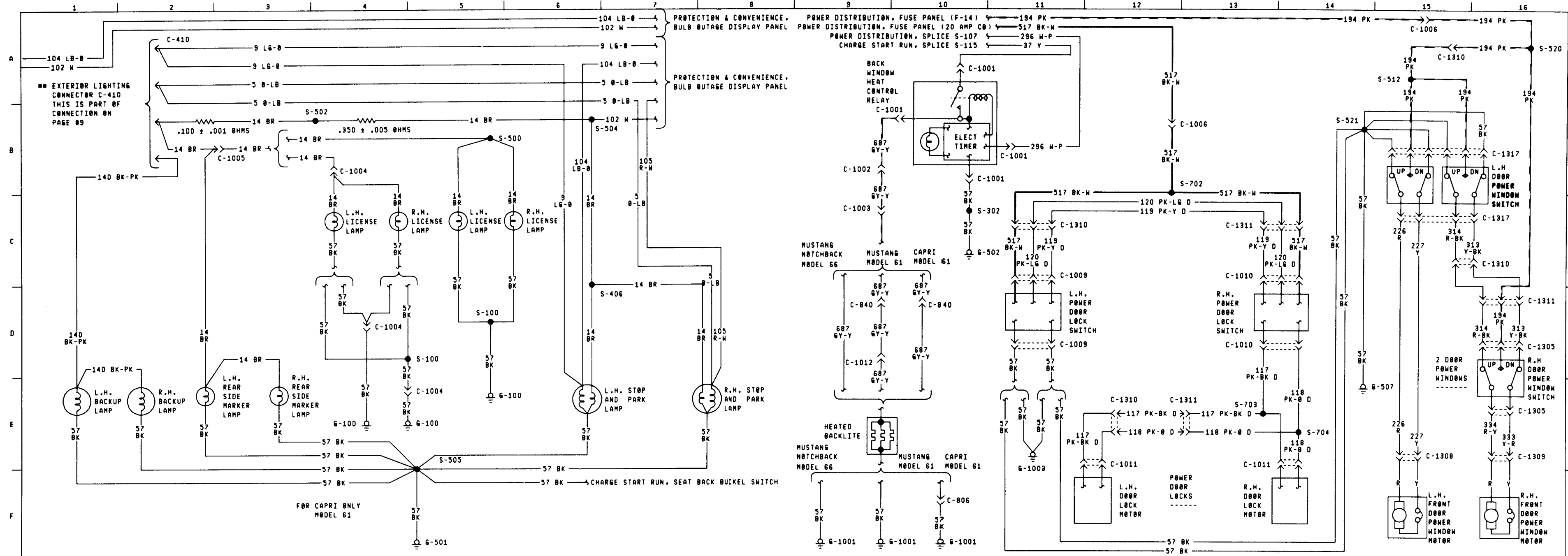


GROUND CODES	
G-200	IN 14305, NEAR COOLANT TEMPERATURE SWITCH
G-401	EYELET ON 14290 NEAR L.H. HEADLAMP
G-402	EYELET ON 14290, NEAR T/O TO R.H. HEADLAMP

SPLICE CODES	
S-401	IN 14290, NEAR T/O TO ELECTRIC COOLING FAN
S-404	IN 14290, NEAR T/O TO L.H. LB BEAM HEAD LAMP
S-408	IN 14290, NEAR T/O TO R.H. FRNT SIDE MARKER LAMP
S-802	IN 14401, NEAR T/O TO PRINTED CIRCUIT
S-803	IN 14290, NEAR T/O TO R.H. HEADLAMP
S-804	IN 14401, NEAR T/O TO SEAT BELT WARNING BUZZER
S-805	IN 14401, NEAR T/O TO COURTESY LAMP SWITCH
S-809	IN 14290, NEAR T/O TO GROUND
S-810	IN 14290, NEAR T/O TO GROUND

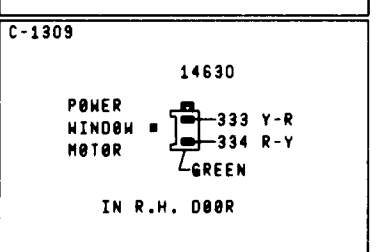
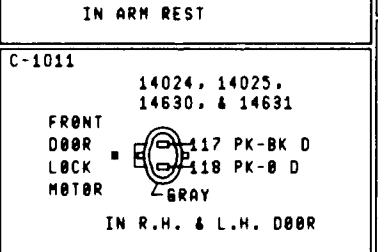
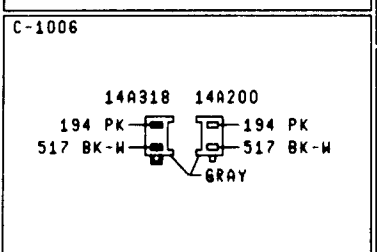
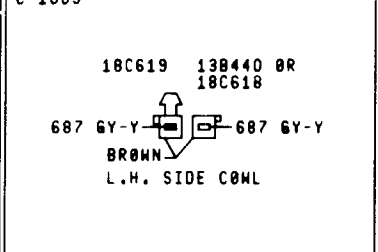
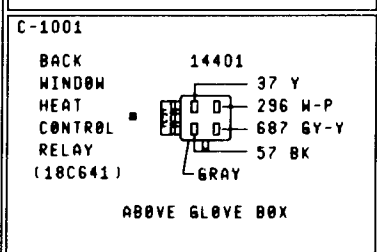
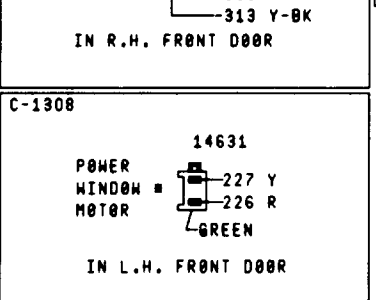
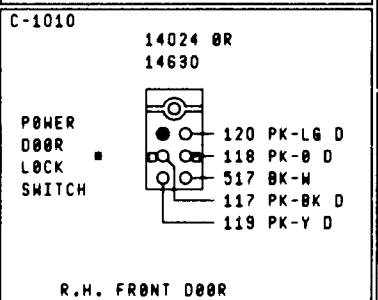
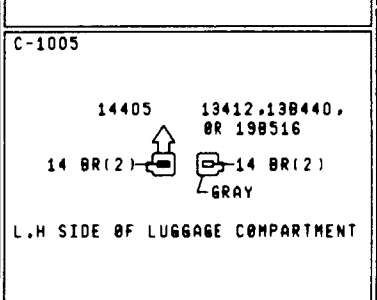
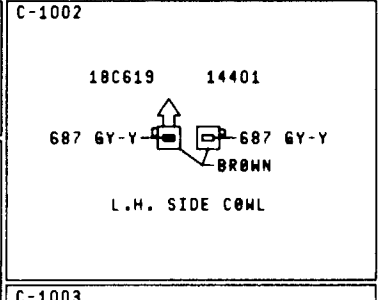
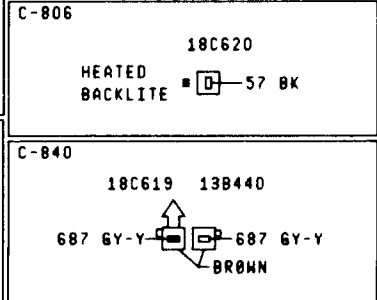
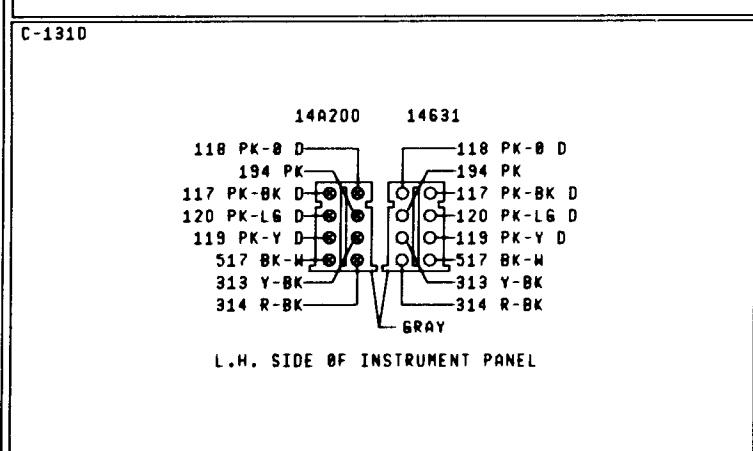
ELECTRICAL SYSTEMS 1985 MUSTANG/CAPRI
 EXTERIOR LIGHTING
 SUPERSEDES
 DATE 4-5-84

BEPE ELECT INST MAN PAGE ES2-900-10
 SERVICE AND TRAINING MAN PAGE 10

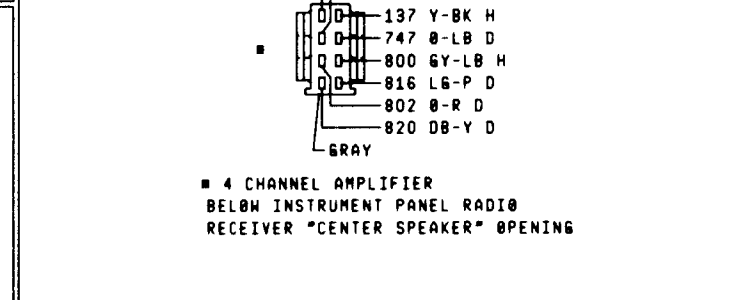
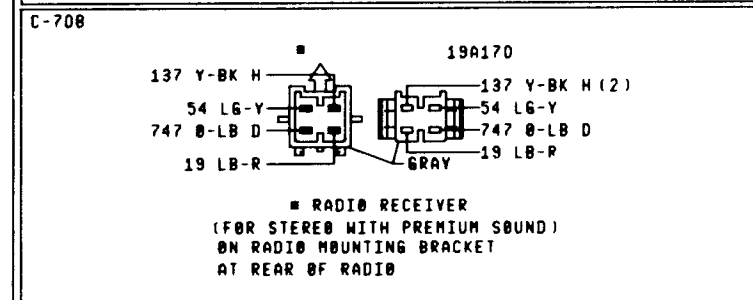
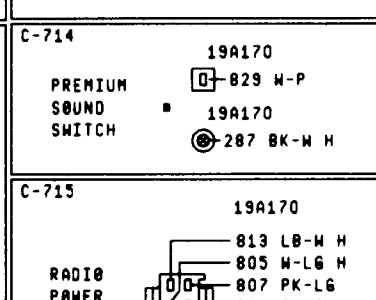
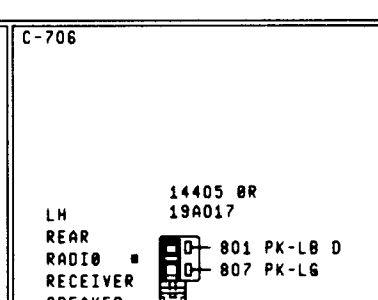
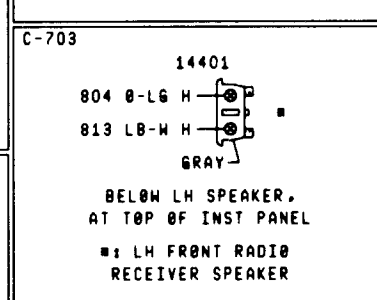
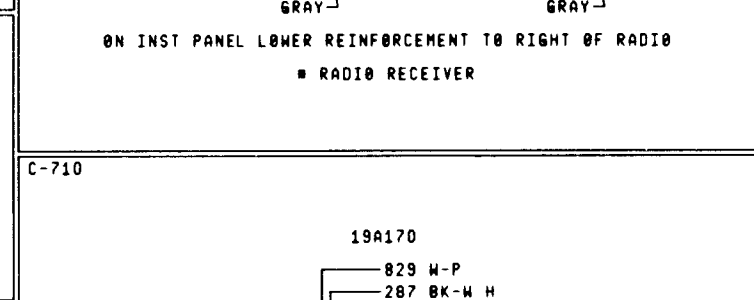
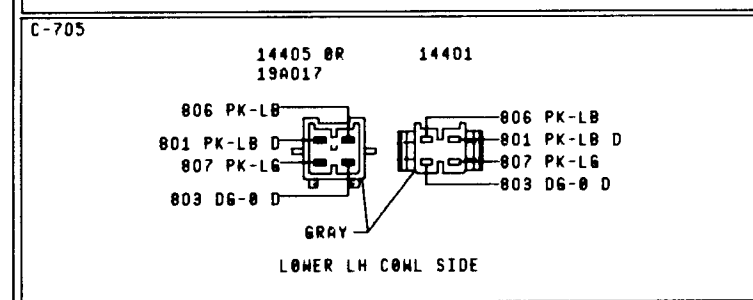
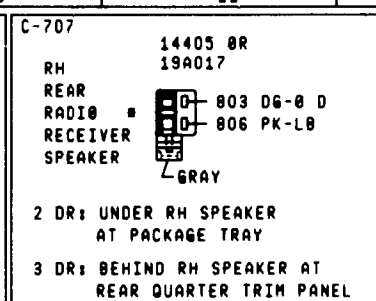
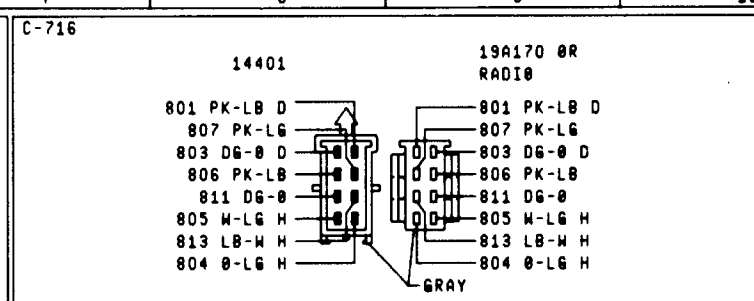
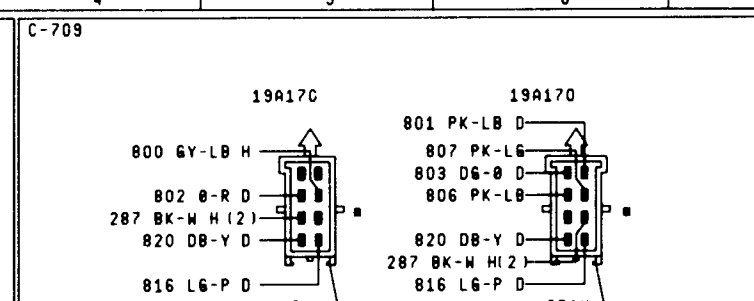
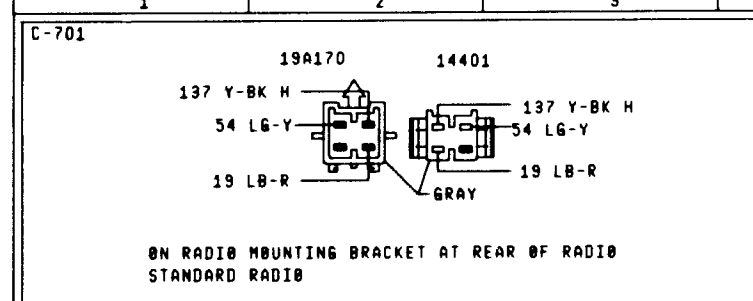
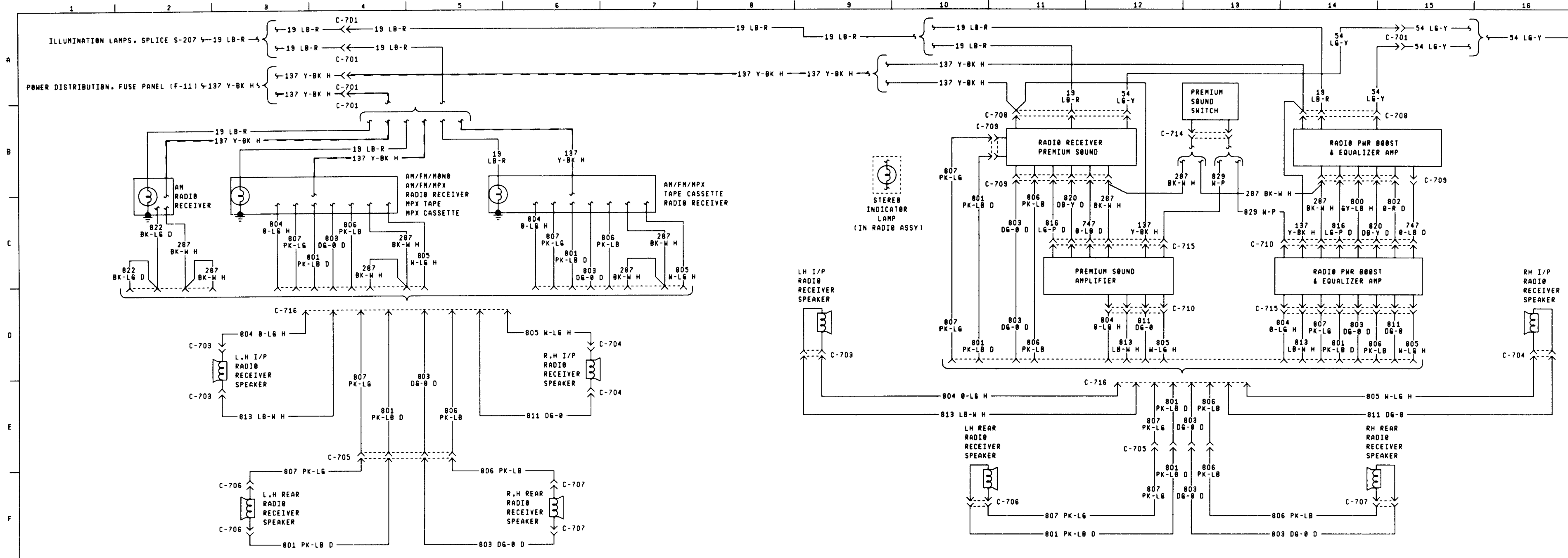


GROUND CODES	
G-100	EYELET IN 13412, 138440, & 198516, NEAR T/O TO LICENSE LAMP
G-501	IN 14405, ON DECK LID STRIKER PLATE
G-502	IN 14401 BEHIND GLOVE BOX
G-507	IN 14631 NEAR WINDOW REG CONTROL SWITCH
G-1001	EYELET ON 18C620 ATTACHED TO R.H. INNER PANEL
G-1003	EYELET ON 14025 TO L.H. FRONT DOOR INNER PANEL

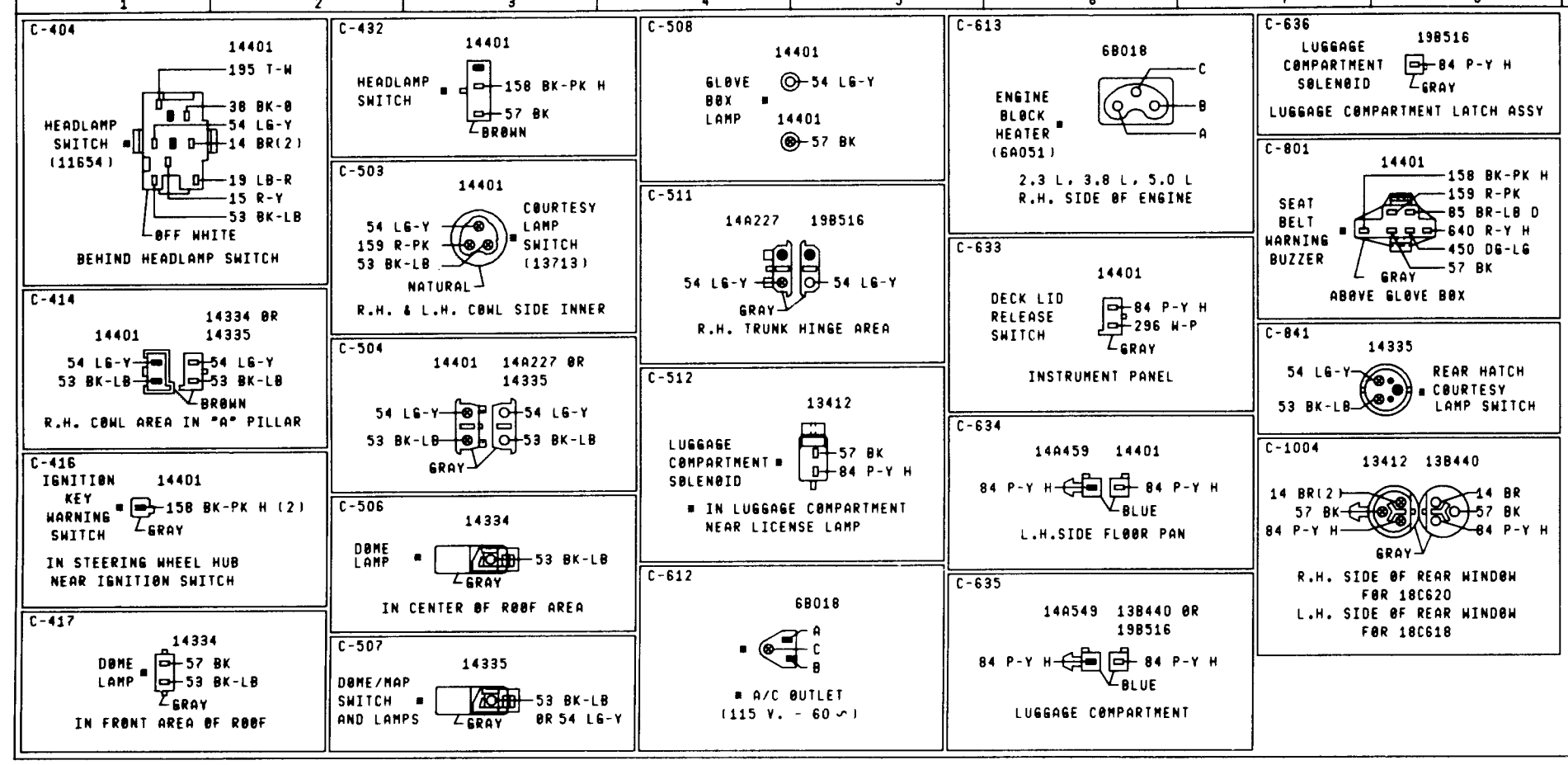
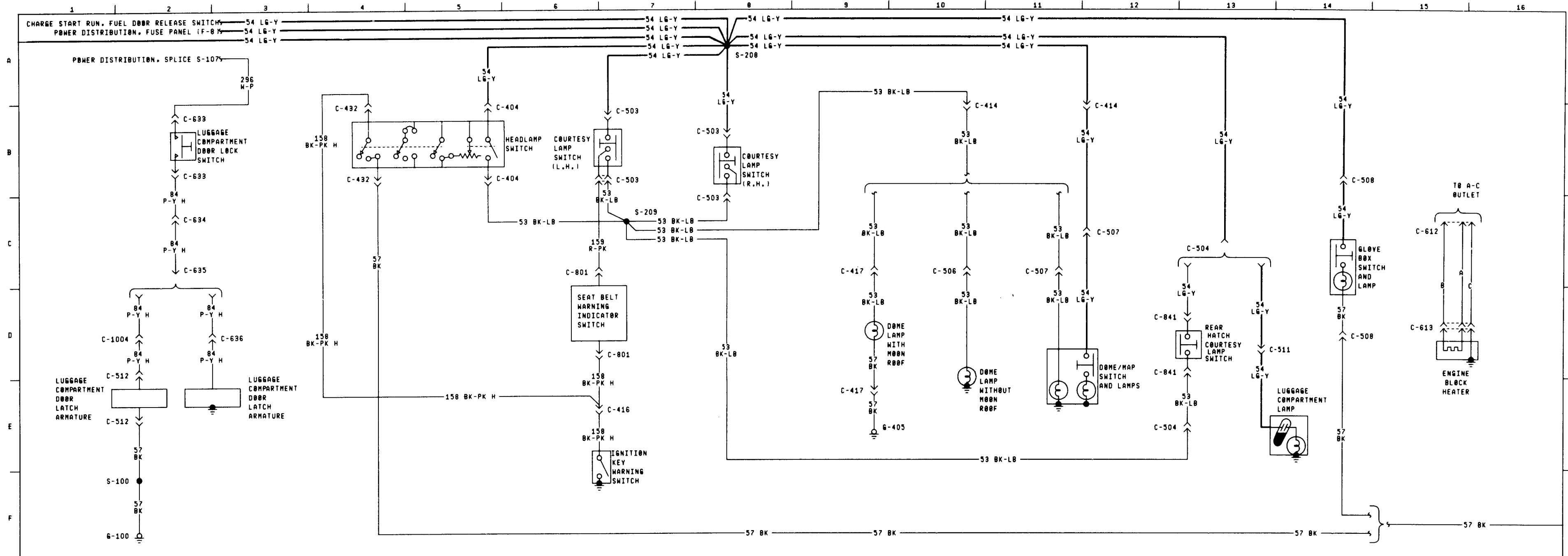
SPLICE CODES	
S-100	IN 13412 OR 198516, NEAR T/O TO LICENSE LAMP FEED
S-302	IN 14401, NEAR T/O TO RADIO
S-406	IN 14405, NEAR T/O TO R.H. TAIL LAMPS
S-500	IN 12A581, NEAR T/O TO A/C PRESSURE SWITCH
S-502	IN 14405, NEAR T/O TO LICENSE LAMP
S-504	IN 14405, NEAR T/O TO L.H. TAIL LAMPS
S-505	IN 14405, NEAR T/O TO L.H. BACKUP LAMP
S-512	IN 14631, NEAR T/O TO WINDOW REGULATOR CONTROL SWITCH
S-520	IN 14A200, NEAR 14A318 CONNECTION
S-521	IN 14631 NEAR WINDOW REG CONTROL SWITCH
S-702	IN 14A200, NEAR T/O TO 14025 OR 14631
S-703	IN 14024 OR 14630, NEAR T/O TO POWER DOOR LOCK SWITCH
S-704	IN 14024 OR 14630, NEAR T/O TO POWER DOOR LOCK SWITCH



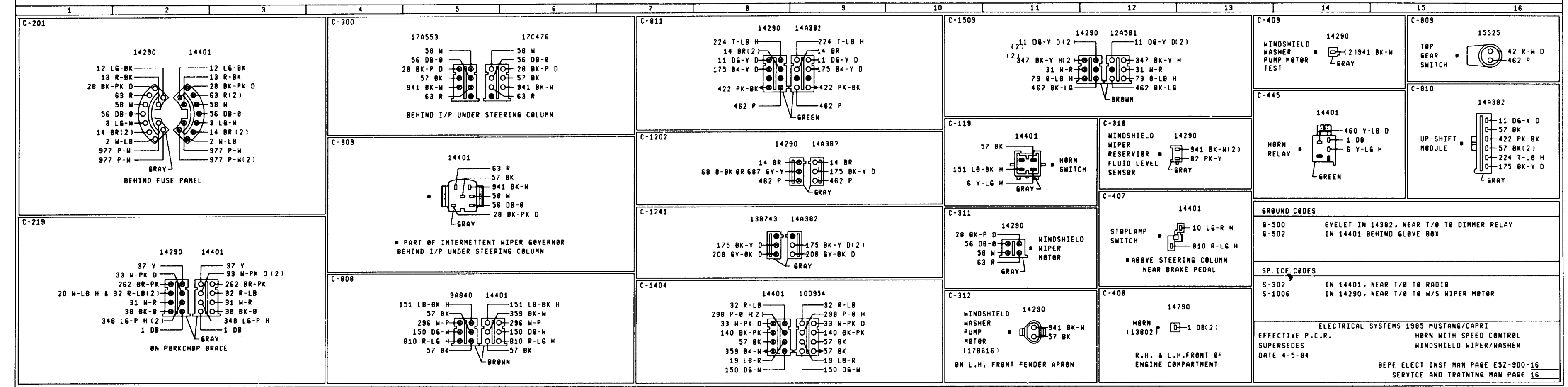
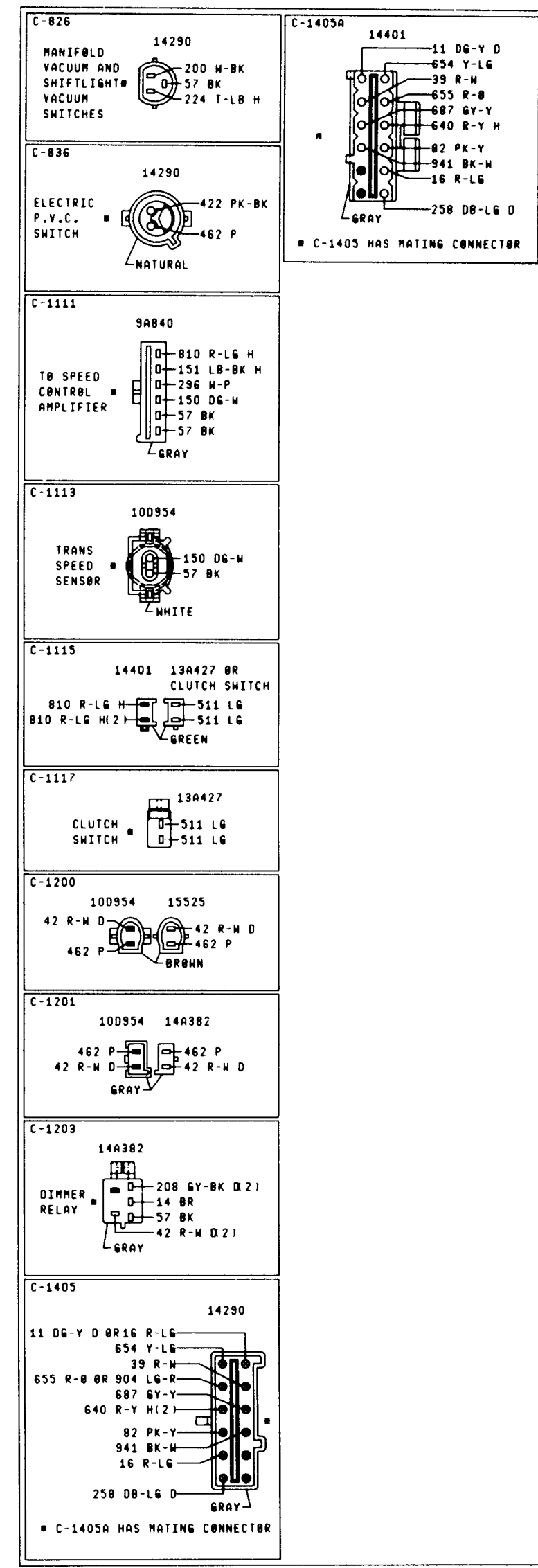
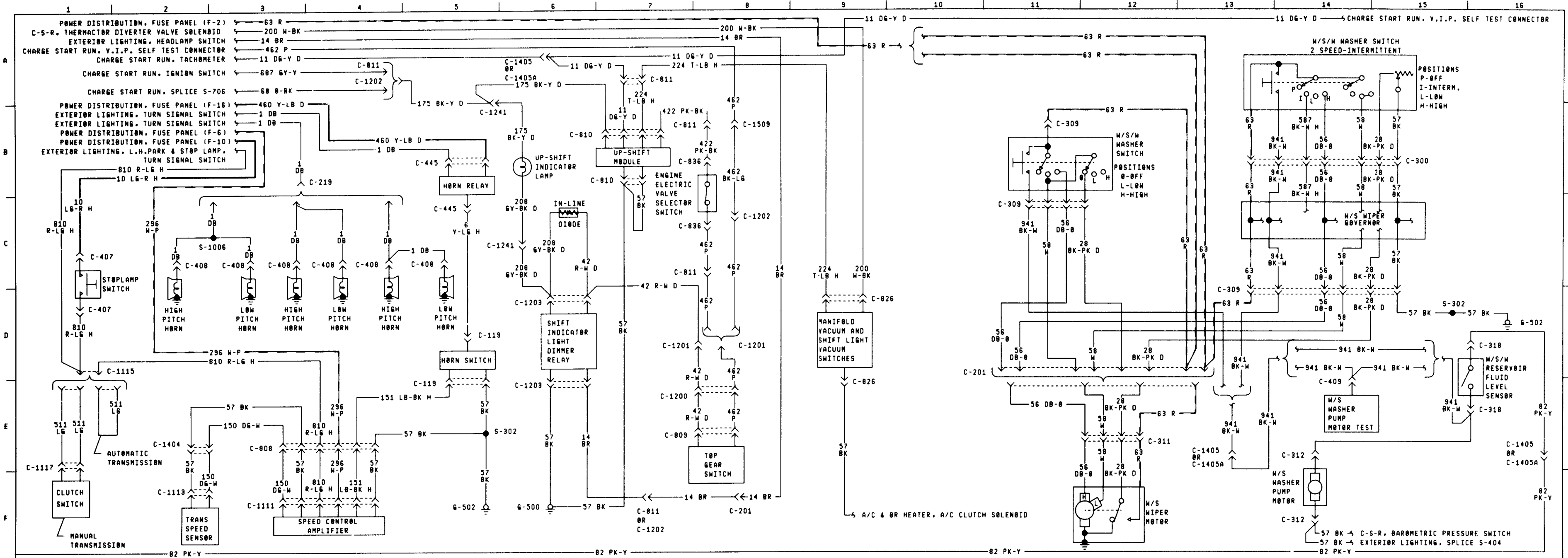
ELECTRICAL SYSTEMS 1985 MUSTANG/CAPRI
EFFECTIVE P.C.R.
SUPERSEDES
DATE 4-5-84
BEPE ELECT INST MAN PAGE E52-900-12
SERVICE AND TRAINING MAN PAGE 12



GROUND CODES	
SPLICE CODES	
ELECTRICAL SYSTEMS 1985 MUSTANG/CAPRI RADIO	
EFFECTIVE P.C.R. SUPERSEDES DATE 4-5-84	
BEPE ELECT INST MAN PAGE ESZ-900-13 SERVICE AND TRAINING MAN PAGE 13	



GROUND CODES	
G-100	EYELET IN 13412, 138440, & 198516, NEAR T/O TO LICENSE LAMP
G-405	EYELET ON 14334 FOR GROUNDING DOME LAMP
SPLICE CODES	
S-100	IN 13412 OR 198516, NEAR T/O TO LICENSE LAMP FEED
S-208	IN 14401 NEAR FUSE PANEL
S-209	IN 14401, NEAR T/O TO PRINTED CIRCUIT BOARD
ELECTRICAL SYSTEMS 1985 MUSTANG/CAPRI	
EFFECTIVE P.C.R.	DECK LID RELEASE
SUPERSEDES	PROTECTION AND CONVENIENCE
DATE 4-5-84	IMMERSION HEATER
	BEPE ELECT INST MAN PAGE E52-900-14
	SERVICE AND TRAINING MAN PAGE 14



GROUND CODES
G-500 EYELET IN 14382, NEAR T/O TO DIMMER RELAY
G-502 IN 14401 BEHIND GLOVE BOX

SPLICE CODES
S-302 IN 14401, NEAR T/O TO RADIO
S-1006 IN 14290, NEAR T/O TO W/S WIPER MOTOR

ELECTRICAL SYSTEMS 1985 MUSTANG/CAPRI
EFFECTIVE P.C.R. SUPERSEDES DATE 4-5-84
HORN WITH SPEED CONTROL WINDSHIELD WIPER/WASHER

BEPE ELECT INST MAN PAGE E52-900-16
SERVICE AND TRAINING MAN PAGE 16